

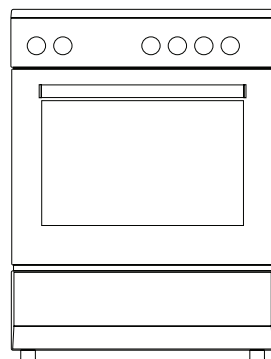
Gaz and electric  
free standing ovens

Плиты отдельностоящие  
газовые и комбинированные

50x50

Модели :

**simfer**



**USER MANUAL GB**  
**РУКОВОДСТВО ПОЛЬЗОВАТЕЛЯ RU**

**Dear user,**

Our objective is to make this product provide you with the best output which is manufactured in our modern facilities in a careful working environment, in compliance with total quality concept.

Therefore, we suggest you to read the user manual carefully before using the product and, keep it permanently at your disposal.

**Note:** This user manual is prepared for more than one model. Some of the features specified in the manual may not be available in your appliance.

All our appliances are only for domestic use, not for commercial use.

Products marked with (\*) are optional.

**“THIS APPLIANCE SHALL BE INSTALLED IN ACCORDANCE WITH THE REGULATIONS FORCE AND ONLY USED IN A WELL VENTILATED SPACE. READ THE INSTRUCTIONS BEFORE INSTALLING OR USING THIS APPLIANCE”**


**“Conforms with the WEEE Regulations.”**

## Contents

Important warnings.....	4
Electrical connection.....	16
Gas connection.....	17
Introduction of the appliance.....	22
Accessories.....	23
Technical features of your oven.....	24
Installation of your oven.....	27
Chain lashing illustration.....	29
Control panel.....	29
Using oven section.....	30
Using the grill.....	31
Using the chicken roasting.....	31
Using cooker section.....	32
Program types.....	34
Cooking time table.....	35
Maintenance and cleaning.....	36
Installation of the oven door.....	37
Changing the oven lamp.....	38
Using the grill deflector sheet.....	39
Troubleshooting.....	40
Handling rules.....	42
Recommendations for energy saving.....	42
Environmentally-friendly disposal.....	43
Package information.....	43

## IMPORTANT WARNINGS

1. Installation and repair should always be performed by **“AUTHORIZED SERVICE”**. Manufacturer shall not be held responsible for operations performed by unauthorized persons.
2. Please read this operating instructions carefully. Only by this way you can use the appliance safely and in a correct manner.
3. The oven should be used according to operating instructions.
4. Keep children below the age of 8 and pets away when operating.
5. **WARNING: The accessible parts may be hot while using the grill. Keep away from children.**
6. **WARNING: Fire hazard; do not store the materials on the cooking surface.**
7. **WARNING: The appliance and its accessible parts are hot during operation.**
8. Setting conditions of this device are specified on the label. (Or on the data plate)
9. The accessible parts may be hot when the grill is used. Small children should be kept away.
10. **WARNING: This appliance is intended for cooking. It should not be used for other purposes like heating a room.**
11. To clean the appliance, do not use steam cleaners.
12. Ensure that the oven door is completely closed after putting food inside the oven.



**13.** NEVER try to put out the fire with water. Only shut down the device circuit and then cover the flame with a cover or a fire blanket.

**14.** Children under 8 years of age should be kept away, if they cannot be monitored continuously.

**15.** Touching the heating elements should be avoided.

**16. CAUTION: Cooking process shall be supervised. Cooking process shall always be supervised.**

**17.** This device can be used by children over 8 years of age, people with physical, hearing or mental challenges or people with lack of experience or knowledge; as long as control is ensured or information is provided regarding the dangers.

**18.** This device has been designed for household use only.

**19.** Children must not play with the appliance. Cleaning or user maintenance of the appliance shall not be performed by children unless they are older than 8 years and supervised by adults.

**20.** Keep the appliance and its power cord away from children less than 8 years old.

**21.** Put curtains, tulle, paper or any flammable (ignitable) material away from the appliance before starting to use the appliance. Do not put ignitable or flammable materials on or in the appliance.

**22.** Keep the ventilation channels open.

**23.** The appliance is not suitable for use with an external timer or a separate remote control system.

**24.** Do not heat closed cans and glass jars. The pressure may lead jars to explode.

**25.** Oven handle is not a towel drier. Do not hang towels, etc. on the oven handle.

**26.** Do not place the oven trays, plates or aluminium foils directly on the oven base. The accumulated heat may damage the base of the oven.

**27.** While placing food to or removing food from the oven, etc., always use heat resistant oven gloves.

**28.** Do not use the product in states like medicated and/or under influence of alcohol which may affect your ability of judgement.

**29.** Be careful when using alcohol in your foods. Alcohol will evaporate at high temperatures and may catch fire to cause a fire if it comes in contact with hot surfaces.


**30.** After each use, check if the unit is turned off.

**31.** If the appliance is faulty or has a visible damage, do not operate the appliance.

**32.** Do not touch the plug with wet hands. Do not pull the cord to plug off, always hold the plug.

**33.** Do not use the appliance with its front door glass removed or broken.

**34.** Place the baking paper together with the food into a pre-heated oven by putting it inside a cooker or on an oven accessory (tray, wire grill etc.).



**35.** Do not put objects that children may reach on the appliance.

**36.** It is important to place the wire grill and tray properly on the wire racks and/or correctly place the tray on the rack. Place the grill or tray between two rails and make sure it is balanced before putting food on it.

**37.** Against the risk of touching the oven heater elements, remove excess parts of the baking paper that hang over from the accessory or container.

**38.** Never use it at higher oven temperatures than the maximum usage temperature indicated on your baking paper. Do not place the baking paper on the base of the oven.

**39.** When the door is open, do not place any heavy object on the door or allow children to sit on it. You may cause the oven to overturn or the door hinges to be damaged.

**40.** The packaging materials are dangerous for children. Keep packaging materials away from the reach of children.

**41.** Do not use abrasive cleaners or sharp metal scrapers to clean the glass as the scratches that may occur on the surface of the door glass may cause the glass to break.

**42.** Do not place the appliance on a surface covered with carpets. Electric parts gets overheated since there will be no ventilation from below. This will cause failure of the appliance.

**43.** Do not hit glass surfaces of vitro-ceramic cookers with a hard metal, resistance can get damaged. It may cause an electric shock.

**44.** User should not handle the oven by himself.

**45.** Use shall be careful when cleaning gas burners. It may cause personal injuries.

**46.** Food can spill when foot of oven is dismantled or gets broken, be careful. It may cause personal injuries.

**47.** During usage, the internal and external surfaces of the oven get hot. As you open the oven door, step back to avoid the hot vapour coming out from the interior. There is risk of burning.

**48.** Upper cover of the oven can be closed for a reason, than cookware can trip over. Step back to avoid the hot food coming on you. There is risk of burning.

**49.** Do not place heavy objects when oven door is open, risk of toppling.


**50.** User should not dislocate the resistance during cleaning. It may cause an electric shock.

**51.** Do not remove ignition switches from the appliance. Otherwise, live electric cables can be accessed. It may cause an electric shock.

**52.** Oven supply can be disconnected during any construction work at home. After completing the work, re-connecting the oven shall be done by authorized service.

**53.** Do not place metal utensils such as knife, fork, spoon on the surface of the appliance, since they will get hot.





**54.** To prevent overheating, the appliance should not be installed behind of a decorative cover.

**55.** Turn off the appliance before removing the safeguards. After cleaning, install the safeguards according to instructions.

**56.** Cable fixing point shall be protected.

**57. WARNING: Don't use oven and grill burners at same time.**

**58.** Please don't cook the food directly on the tray / grid. Please put the food into or on appropriate tools before putting them in the oven.

**59.** Hot surface, leave for cooling before closing the cover.

## Electrical Safety

1. Plug the appliance in a grounded socket protected by a fuse conforming to the values specified in the technical specifications chart.

2. Have an authorized electrician set grounding equipment. Our company shall not be responsible for the damages that shall be incurred due to using the product without grounding according to local regulations.

3. The circuit breaker switches of the oven shall be placed so that end user can reach them when the oven is installed.

4. The power supply cord (the cord with plug) shall not contact the hot parts of the appliance.

5. If the power supply cord (the cord with plug) is damaged, this cord shall be replaced by the manufacturer or its service agent or an equally qualified personnel to prevent a hazardous situation.

6. Never wash the product by spraying or pouring water on it! There is a risk of electrocution.

**7. WARNING: To avoid electric shock, ensure that the device circuit is open before changing the lamp.**

**8. WARNING: Cut off all supply circuit connections before accessing the terminals.**

**9. WARNING: If the surface is cracked, turn off the appliance to avoid risk of electric shock.**

10. Do not use cut or damaged cords or extension cords other than the original cord.

**11.** Make sure that there is no liquid or humidity in the outlet where the product plug is installed.

**12.** The rear surface of the oven also heats up when the oven is operated. Electrical connections shall not touch the rear surface, otherwise the connections may be damaged.

**13.** Do not tighten the connecting cables to the oven door and do not run them over hot surfaces. If the cord melts, this may cause the oven to short circuit and even a fire.

**14.** Unplug the unit during installation, maintenance, cleaning and repair.

**15.** If the power supply cable is damaged, it must be replaced by its manufacturer or authorized technical service or any other personnel qualified at the same level, in order to avoid any dangerous situation.

**16.** Make sure the plug is inserted firmly into wall socket to avoid sparks.

**17.** Do not use steam cleaners for cleaning the appliance, otherwise electric shock may occur.

**18.** An omnipolar switch capable to disconnect power supply is required for installation. Disconnection from power supply shall be provided with a switch or an integrated fuse installed on fixed power supply according to building code.

**19.** Appliance is equipped with a **type “Y”** cord cable.

**20.** Fixed connections shall be connected to a power supply enabling omnipolar disconnection. For appliances with over voltage category below III, disconnection device shall be connected to fixed power supply according to wiring code.

## **Gas Safety**


**1.** This appliance is not connected to burning products evacuation apparatus. This appliance must be connected and installed according to the installation regulations in force. Conditions regarding ventilation must be considered.

**2.** When a gas cooking appliance is used; humidity, heat and burning products are generated in the room. First of all, make sure the kitchen is well ventilated when operating the appliance and maintain natural ventilation openings or install a mechanical ventilation equipment.

**3.** After using the appliance heavily for an extended period of time, additional ventilation may be required. For example open a window or adjust a higher speed for mechanical ventilation, if any.

**4.** This appliance must be used only in well ventilated locations in accordance with the regulations in force. Please read the manual before installing or using this product.

**5.** Before positioning the appliance, make sure local network conditions (gas type and gas pressure) meets appliance requirements.



**6.** The mechanism cannot be run for longer than 15 seconds. If the burner is not on after 15 seconds, stop the mechanism and wait for at least one minute before trying to ignite the burner again.

**7.** All kinds of operations to be performed on gas installation must be performed by authorized and competent people.

**8.** This appliance is adjusted for natural gas (NG). If you have to use your product with a different gas type, you have to apply to authorized service for the conversion.

**9.** For proper operation, hood, gas pipe and clamp should be replaced periodically according to manufacturer recommendations and when required.

**10.** Gas should burn well in gas products. Well burning gas can be understood from blue flame and continuous burning. If gas does not burn sufficiently, carbon monoxide (CO) can be generated. Carbon monoxide is a colourless, odourless and very toxic gas; even small amounts have lethal effect.

**11.** Ask your local gas supplies about the phone numbers for emergencies related to gas and the measures to be taken upon gas odour is detected.

## What To Do When Gas Odour Is Detected

1. Do not use naked flame, and do not smoke.
2. Do not operate any electrical switch.  
(For example: lamp switch or doorbell)
3. Do not use telephone or mobile phone.
4. Open the doors and windows.
5. Close all valves on the appliances that utilize gas and the gas counters.
6. Call fire brigade from a telephone outside the home.
7. Check all hoses and their connections against leaks.  
If you still smell gas, leave the house and warn your neighbours.
8. Do not enter into the house until authorities clarify it is safe.



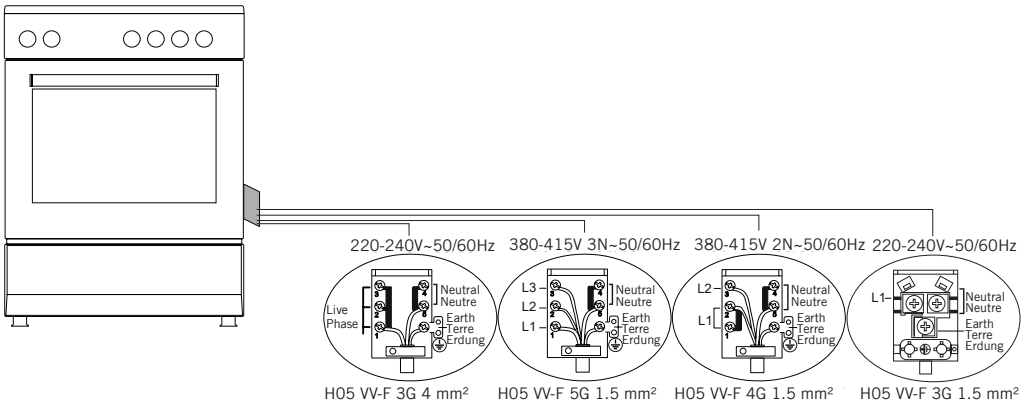
## **Intended Use**

- 1.** This product is designed for home use. Commercial use of the appliance is not permitted.
- 2.** This appliance may only be used for cooking purposes. It shall not be used for other purposes like heating a room.
- 3.** This appliance shall not be used to heat plates under the grill, drying clothes or towels by hanging them on the handle or for heating purposes.
- 4.** The manufacturer assumes no responsibility for any damage due to misuse or mishandling.
- 5.** Oven part of the unit may be used for thawing, roasting, frying and grilling food.
- 6.** Operational life of the product you have purchased is 10 years. This is the period for which the spare parts required for the operation of this product as defined is provided by the manufacturer.

## Electrical Connection

1. Your oven requires 16 or 32 Ampere fuse according to the appliance's power. If necessary, installation by a qualified electrician is recommended.
2. Your oven is adjusted in compliance with 220-240V AC/380-415V AC 50/60Hz electric supply. If the mains are different from this specified value, contact your authorized service.
3. Electrical connection of the oven should only be made by the sockets with earth system installed in compliance with the regulations. If there is no proper socket with earth system in the place where the oven will be placed, immediately contact a qualified electrician. Manufacturer shall never be responsible from the damages that will arise because of the sockets connected to the appliance with no earth system. If the ends of the electrical connection cable are open, according to the appliance type, make a proper switch installed in the mains by which all ends can be disconnected in case of connecting / disconnecting from / to the mains.
4. If your electric supply cable gets defective, it should definitely be replaced by the authorized service or qualified electricians in order to avoid from the dangers.
5. Electrical cable should not touch the hot parts of the appliance.
6. Please operate your oven in dry atmosphere.

### Electrical connection scheme





## Gas Connection

**WARNING:** Before starting any work related with gas installation, turn off gas supply. Risk of explosion.

Please operate your oven in dry atmosphere.

1. Fit the clamp to the hose. Push one of the hose until it goes to the end of the pipe.

2. For the sealing control; ensure that the buttons in the control panel are closed, but the gas cylinder is open. Apply some soap bubbles to the connection. If there is gas leakage, there will be foaming in the soaped area.

3. The oven should be using a well ventilation place and should be install on flat ground.

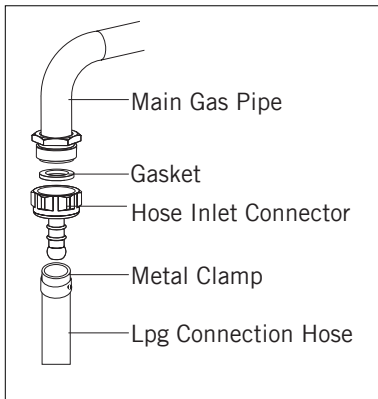
4. Re-inspect the gas connection.

5. When placing your oven to its location, ensure that it is at the counter level. Bring it to the counter level by adjusting the feet if necessary.

6. Do not make gas hose and electrical cable of your oven go through the heated areas, especially through the rear side of the oven. Do not move gas connected oven. Since the forcing shall loosen the hose, gas leakage may occur.

7. Please use flexible hose for gas connection.

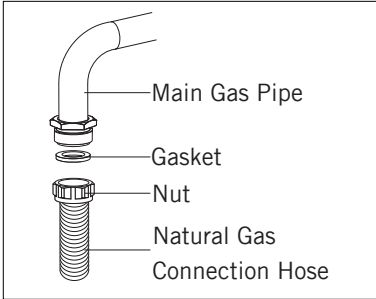
### For LPG connection;



For LPG (cylinder) connection, affix metal clamp on the hose coming from LPG cylinder. Affix an edge of the hose on hose inlet connector behind the appliance by pushing to end through heating the hose in boiled water. Afterward, bring the clamp towards end section of the hose and tighten it with screwdriver. The gasket and hose inlet connector required for connection is as the picture shown below.

**NOTE:** The regulator to be affixed on LPG cylinder should have 300 mmSS feature.

## For natural gas connection;



**WARNING:** Natural gas connection should be done by authorized service.

For natural gas connection, place gasket in the nut at the edge of natural gas connection hose. To install the hose on main gas pipe, turn the nut. Complete the connection by making gas leakage control.

## Gas hose passage way

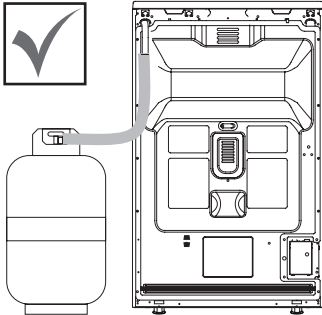


Figure 1

Connect the appliance to the gas piping tap in shortest possible route and in a way that ensure no gas leakage will occur.

In order to carry on a tightness and sealing safety check ensure that the knobs on the control panel are closed and the gas cylinder is open.

**WARNING:** While performing a gas leakage check, never use any kind of lighter, match, cigarette or similar burning substance.

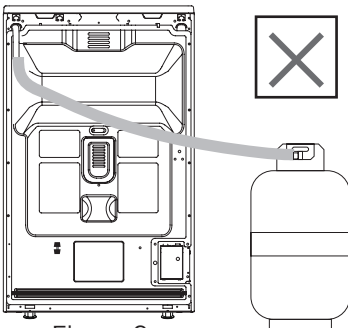


Figure 2

Apply soap bubble on the connection points. If there is any kind of leakage then it will cause bubbling.

While inserting the appliance in place ensure that it is on the same level with the worktop. If required adjust the legs in order to make level with the worktop.

Use the appliance on a level surface and in a well ventilated environment.

**WARNING:** Before placing the appliance, check that the local distribution conditions (gas type and pressure) conform to the product settings.

## Nozzle change operation

1. Please use driver with special head for removed and install nozzle as. (figure 3)

2. Please remove nozzle (figure 4) from burner with special nozzle driver and install new nozzle. (figure 5)

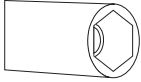


Figure 3

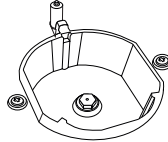


Figure 4

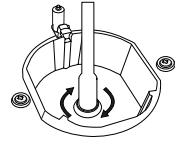


Figure 5

## Ventilation of room

The air needed for burning is received from room air and the gases emitted are given directly in room. For safe operation of your product, good room ventilation is a precondition. If no window or room to be utilized for room ventilation is available, additional ventilation should be installed. However, room has a door opening outside, it is no needed to vent holes.

Room size	Ventilating opening
Smaller than 5 m <sup>3</sup>	min. 100 cm <sup>2</sup>
Between 5 m <sup>3</sup> - 10 m <sup>3</sup>	min. 50 cm <sup>2</sup>
Bigger than 10 m <sup>3</sup>	no need
In basement or cellar	min. 65 cm <sup>2</sup>

## Reduced gas flow rate setting for hob taps

1. Ignite the burner that is to be adjustment and turn the knob to the reduced position.

2. Remove the knob from the gas tap.

3. Use an appropriately sized screwdriver to adjust the flow rate adjustment screw. For LPG (butane-pro pane) turn the screw clockwise. For the naturel gas, you should turn the screw counter- clockwise once.

“The normal length of a straight flame in the reduced position should be 6-7 mm.”

4. If the flame is higher then the desired position, turn the screw clockwise. If it is smaller turn anticlockwise.

5. For the last control, bring the burner both to higt-flame and reduced positions and check whether the flame is on or off.

Depending on the type of gas tap used in your appliance the adjustment screw position may vary.

To adjust your oven acc. to the gas type, make the adjustment for reduced flame carefully by turning with a small screwdriver as shown below on the screw in the middle of the gas cocks as well as nozzle changes. (figure 6 and 7)

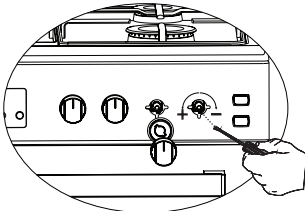


Figure 6

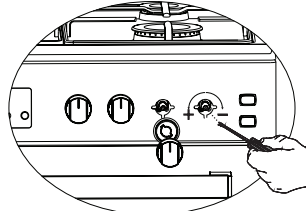


Figure 7

## Removal of the lower and upper burner and installation of the injector to the gas oven

### Removal of the upper burner:

With the help of a screw driver, remove the screw as shown in figure 8. As shown in figure 9, remove the burner from its place by pulling it to yourself. As shown in figure 10, remove the injector in the bearing with a socket wrench. In order to re-place the burner, apply the removal process reversely.

Figure 8

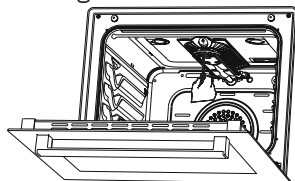


Figure 9

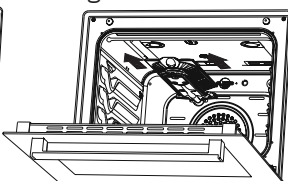
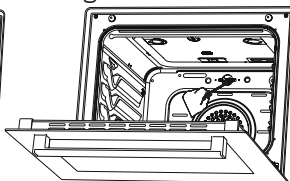


Figure 10



### Removal of the lower burner:

The lower burner door has been fixed with two screws. As shown in figure 11, remove it with the help of a screw driver. Remove the door by pulling upwards as shown in figure 12. Remove the burner from its place by pulling it to yourself as shown in figure 13. As shown in figure 14, remove the injector in the bearing with a socket wrench. In order to replace the burner, apply the removal process reversely.

Figure 11

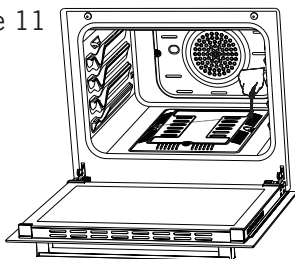


Figure 12

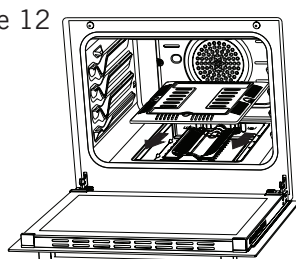


Figure 13

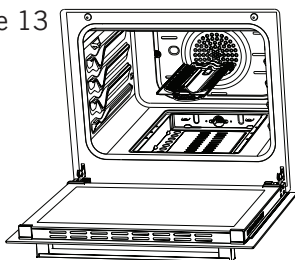
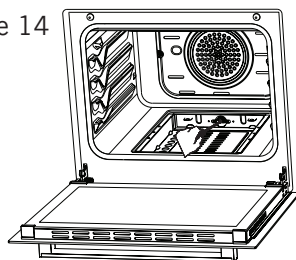
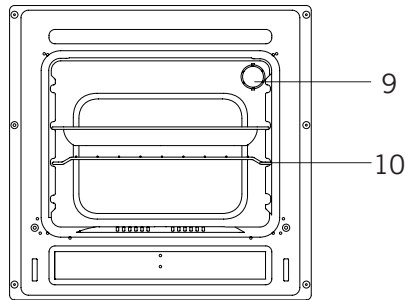
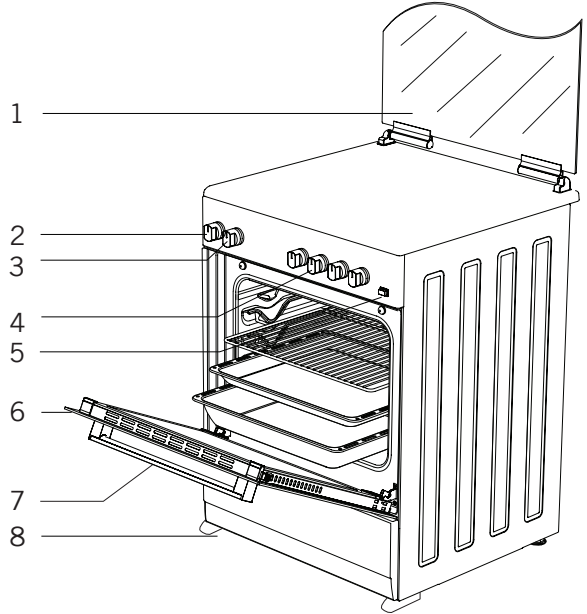
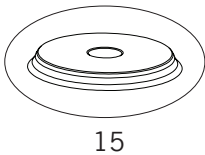
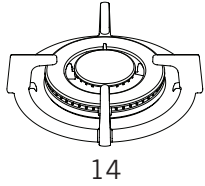
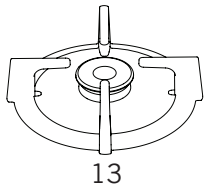
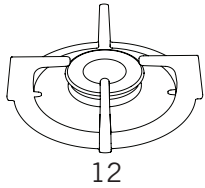
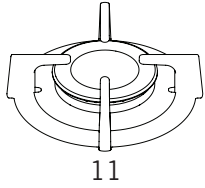


Figure 14



# INTRODUCTION OF THE APPLIANCE

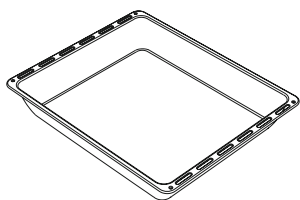


- 1. Glass door  
(Sheet metal door)
- 2. Thermostat setting
- 3. Oven setting
- 4. Cooker section control  
Switches
- 5. Push button lighter \*

- 6. Door
- 7. Handle
- 8. Plastic leg
- 9. Lamp
- 10. Grill
- 11. Large burner
- 12. Middle burner

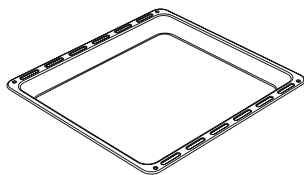
- 13. Auxiliary burner
- 14. Wok burner \*
- 15. Hot plate \*  
(Ø145 mm or Ø185 mm)

## Accessories



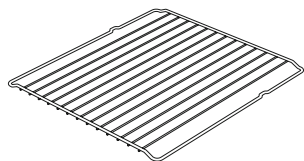
### **Deep tray \***

Used for pastry, big roasts, watery foods. It can also be used as oil collecting container if you roast directly on grill with cake, frozen foods and meat dishes.



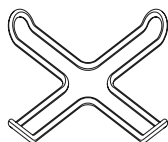
### **Tray**

Used for pastry (cookie, biscuit etc.), frozen foods.



### **Wire grill**

Used for roasting or placing foods to be baked, roasted and frozen into desired rack.



### **Coffee pot support unit \***

Can be used for coffee pot.

## Technical Features Of Your Oven

Specifications	50x50
Outer width	500 mm
Outer depth	510 mm
Outer height	850 mm
Lamp power	15-25 W
Bottom heating element	1000 W
Top heating element	800 W
Grill heating element	1500 W
Supply Voltage	220-240V AC / 380-415V AC, 50/60 Hz
Hot Plate 145 mm *	1000 W
Hot Plate 180 mm *	1500 W
Hot Plate rapid 145 mm *	1500 W
Hot Plate rapid 180 mm *	2000 W

**WARNING:** For the modification to be done by authorized service, this table should be considered. Manufacturer may not be held responsible for any problems rising because of any faulty modification.

**WARNING:** In order to increase the product quality, the technical specifications may be changed without prior notice.

**WARNING:** The values provided with the appliance or its accompanying documents are laboratory readings in accordance with the respective standards. These values may differ depending on the use and ambient conditions.



Burner Specifications	G20,20 mbar G25,25 mbar			G20,25 mbar		G20,13 mbar	
	Gas natural			Gas natural		Gas natural	
Wok Burner	Injector	1,40	mm	1,28	mm	1,60	mm
	Gas flow	0,333	m <sup>3</sup> /h	0,333	m <sup>3</sup> /h	0,333	m <sup>3</sup> /h
	Power	3,50	kW	3,50	kW	3,50	kW
Rapid Burner	Injector	1,15	mm	1,10	mm	1,45	mm
	Gas flow	0,276	m <sup>3</sup> /h	0,276	m <sup>3</sup> /h	0,276	m <sup>3</sup> /h
	Power	2,90	kW	2,90	kW	2,90	kW
Semi-Rapid Burner	Injector	0,97	mm	0,92	mm	1,10	mm
	Gas flow	0,162	m <sup>3</sup> /h	0,162	m <sup>3</sup> /h	0,162	m <sup>3</sup> /h
	Power	1,70	kW	1,70	kW	1,70	kW
Auxiliary Burner	Injector	0,72	mm	0,70	mm	0,85	mm
	Gas flow	0,96	m <sup>3</sup> /h	0,96	m <sup>3</sup> /h	0,96	m <sup>3</sup> /h
	Power	0,95	kW	0,95	kW	0,95	kW
Grill Burner	Injector	0,92	mm	0,92	mm	---	---
	Gas flow	0,144	m <sup>3</sup> /h	0,144	m <sup>3</sup> /h	---	---
	Power	1,50	kW	1,50	kW	---	---
Oven Burner	Injector	0,97	mm	0,97	mm	---	---
	Gas flow	0,171	m <sup>3</sup> /h	0,171	m <sup>3</sup> /h	---	---
	Power	1,80	kW	1,80	kW	---	---

Burner Specifications	G30,28-30 mbar G31,37 mbar			G30,50 mbar		G30,37 mbar	
	LPG			LPG		LPG	
Wok Burner	Injector	0,96	mm	0,76	mm	0,96	mm
	Gas flow	254	g/h	254	g/h	254	g/h
	Power	3,50	kW	3,50	kW	3,50	kW
Rapid Burner	Injector	0,85	mm	0,75	mm	0,85	mm
	Gas flow	211	g/h	211	g/h	211	g/h
	Power	2,90	kW	2,90	kW	2,90	kW
Semi-Rapid Burner	Injector	0,65	mm	0,60	mm	0,65	mm
	Gas flow	124	g/h	124	g/h	124	g/h
	Power	1,70	kW	1,70	kW	1,70	kW
Auxiliary Burner	Injector	0,50	mm	0,43	mm	0,50	mm
	Gas flow	69	g/h	69	g/h	69	g/h
	Power	0,95	kW	0,95	kW	0,95	kW
Grill Burner	Injector	0,60	mm	0,55	mm	0,60	mm
	Gas flow	109	g/h	109	g/h	109	g/h
	Power	1,50	kW	1,50	kW	1,50	kW
Oven Burner	Injector	0,65	mm	0,60	mm	0,65	mm
	Gas flow	131	g/h	131	g/h	131	g/h
	Power	1,80	kW	1,80	kW	1,80	kW

**WARNING:** Diameter values written on the injector are specified without a comma. For example; The diameter of 1,70 mm is specified as 170 on the injector.

## INSTALLATION OF YOUR OVEN

Check if the electrical installation is proper to bring the appliance in operating condition. If electricity installation is not suitable, call an electrician and plumber to arrange the utilities as necessary. Manufacturer shall not be held responsible for damages caused by operations performed by unauthorized persons.

**WARNING:** It is customer's responsibility to prepare the location the product shall be placed on and also to have the electrical installation prepared.

**WARNING:** The rules in local standards about electrical installations shall be followed during product installation.

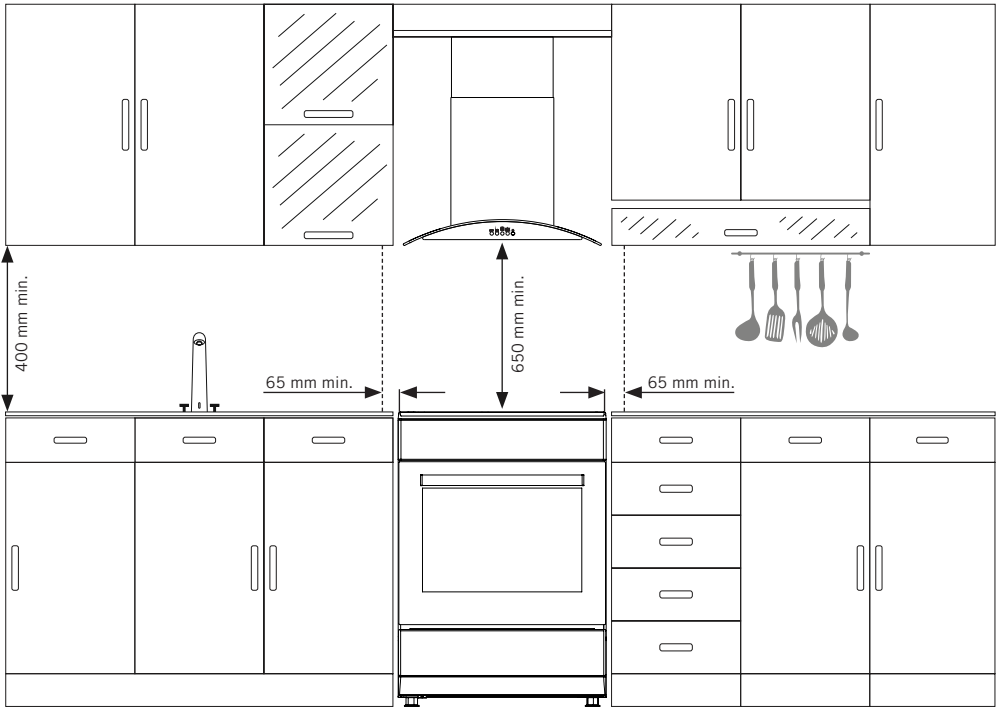
**WARNING:** Check for any damage on the appliance before installing it. Do not have the product installed if it is damaged. Damaged products cause a risk for your safety.

### Right Place For Installation And Important Warnings

Appliance feet should not stay on soft surfaces such as carpets. The kitchen floor shall be durable to carry the unit weight and any other kitchenware that may be used on the oven.

Appliance should be used with a clearance of minimum 400 mm over the upper hob surfaces, and 65 mm from side surfaces inside a kitchen furniture.

The appliance is suitable for use on both side walls, without any support, or without being installed in a cabinet. If a hood or aspirator will be installed above the cooker, follow the instructions of the manufacturer for height of mounting. (min. 650 mm)

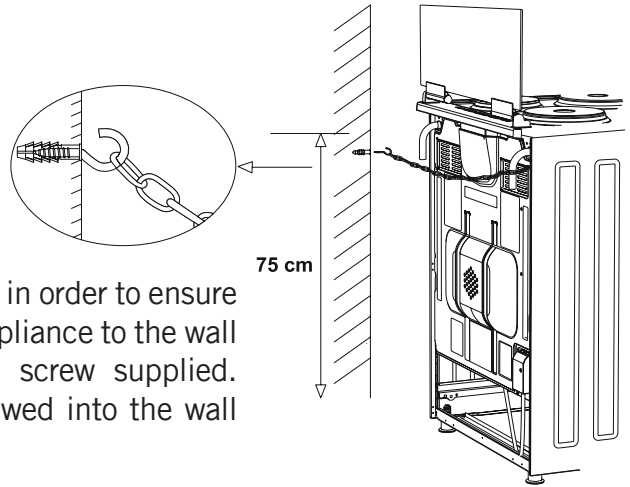


**WARNING:** The kitchen furniture near the appliance must be heat resistant.

**WARNING:** Do not install the appliance beside refrigerators or coolers. Heat radiated by the appliance increases the energy consumption of cooling devices.

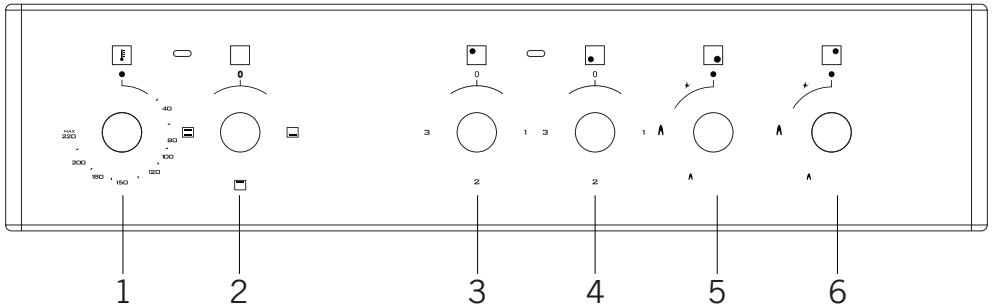
**WARNING:** Do not use the door and/or handle to carry or move the appliance.

## Chain lashing illustration



Before using the appliance, in order to ensure safe use, be sure to fix the appliance to the wall using the chain and hooked screw supplied. Ensure that the hook is screwed into the wall securely.

## CONTROL PANEL



1. Thermostat

2. Function selection button

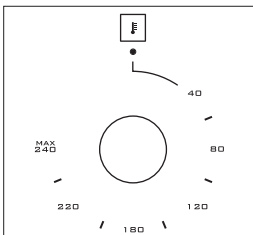
3. Rear left electrical heater

4. Front left electrical heater

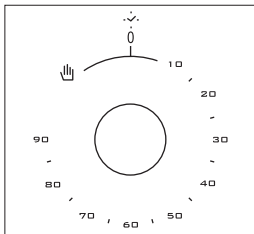
5. Front right heater

6. Rear right heater

**WARNING:** The control panel above is only for illustration purposes. Consider the control panel on your device.



**Thermostat:** Used for determining the cooking temperature of the dish to be cooked in the oven. After placing the food inside the oven, turn the switch to adjust desired temperature setting between 40-240 °C. For cooking temperatures of different food, see cooking table.



**Mechanical timer\*:** Used for determining the period for cooking in the oven. When adjusted time is expired, power to heaters is turned off and an audible warning signal is emitted. Mechanical timer can be adjusted to desired period between 0-90 minutes. For cooking periods, see cooking tables.

## USING OVEN SECTION

### Using Oven Burners

1. If your oven equipped with burners that operates with gas, appropriate knob should be used in order to ignite the burners. Some models have automatic ignition from the knob; it is easy to ignite the burner by turning the knob. Also, burners can be ignited by pressing the ignition button or they can be ignited with a match.

2. Do not continuously operate the igniter for more than 15 seconds. If the burner does not ignite, wait minimum one minute before trying again. If the burner is extinguished for of the any reason, close the gas control valve and wait a minimum of one minute before trying again.

### Using Oven Heating Elements

1. When your oven is operated first time, an odor will be spread out which will be sourced from using the heating elements. In order to get rid of this, operate it at 240 °C for 45-60 minutes while it is empty.

2. Oven control knob should be positioned to desired value; otherwise oven does not operate.

3. Kinds of meals, cooking times and thermostat positions are given in cooking table. The values given in the cooking table are characteristic values and were obtained as a result of the tests performed in our laboratory. You can find different flavors suitable for your taste depending on your cooking and using habits.

4. You can make chicken revolving in your oven by means of the accessories.

5. Cooking times: The results may change according to the area voltage and material having different quality, amount and temperatures.

6. During the time when cooking is being performed in the oven, the lid of the oven should not be opened frequently. Otherwise circulation of the heat may be imbalanced and the results may change.

### Using The Grill

1. When you place the grill on the top rack, the food on the grill shall not touch the grill.
2. You can preheat for 5 minutes while grilling. If necessary, you may turn the food upside down.
3. Food shall be in the center of the grill to provide maximum air flow through the oven.

### To turn on the grill;

1. Place the function button over the grill symbol.
2. Then, set it to the desired grill temperature.

### To turn the grill off;

Set the function button to the off position.

**WARNING:** Keep the oven door closed while grilling. (electrical grill)

**WARNING:** Keep the oven door opened while grilling. (gas grill)

### Using The Chicken Roasting \*

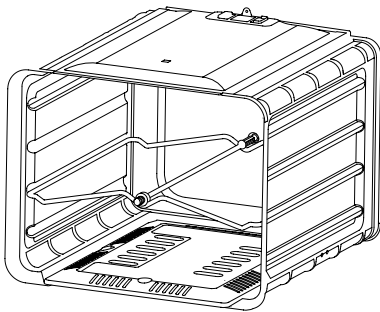
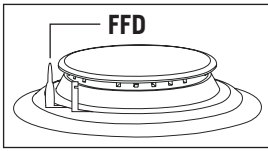


Figure 15

Place the spit on the frame. Slide turn spit frame into the oven at the desired level. Locate a dripping pan through the bottom in order to collect the fat. Add some water in dripping pan for easy cleaning. Do not forget to remove plastic part from spit. After grilling, screw the plastic handle to the skewer and take out the food from oven.

## Using Cooker Section

### Using gas burners



**Flame cut-off safety device (FFD) \***; operates instantly when safety mechanism activates due to overflow liquid over hobs.

1. The valves controlling the gas cookers have special security mechanism. In order to light the cooker always press on the switch forward and bring it to flame symbol by turnin counter clockwise. All of the lighters shall operate and the cooker you controlled shall light only. Keep the switch pressed until ignition i performed. Press on the lighter button and turn the knob counter clockwise.

2. Do not continuously operate the igniter for more than 15 seconds. If the burner does not ignite, wait minimum one minute before try again.

3. In models with gas security system, when flame of the cooker is extinguished, control valve cuts off the gas automatically. For operate the burners with gas security system you must press the knob and turn counter-clock-wise. After the ignition you must wait nearly 5-10 second for gas security systems activation. If the burner is extinguished for of the any reason, close the gas control valve and wait a minimum of one minute before trying again.

4. ● Closed 🔥 Fully open 🔥 Half open

5. Before operating your hob please make sure that the burner caps are well positioned. The right placement of the burner caps are shown as below.

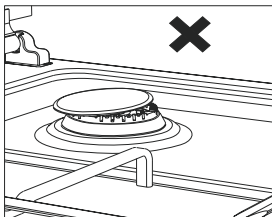


Figure 16

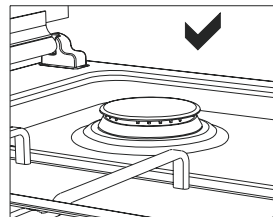


Figure 17



## Using Hot Plates

	Level 1	Level 2	Level 3	Level 4	Level 5	Level 6
Ø80 mm	200 W	250 W	450 W	---	---	---
Ø145 mm	250 W	750 W	1000 W	---	---	---
Ø180 mm	500 W	750 W	1500 W	---	---	---
Ø145 mm rapid	500 W	1000 W	1500 W	---	---	---
Ø180 mm rapid	850 W	1150 W	2000 W	---	---	---
Ø145 mm	95 W	155 W	250 W	400 W	750 W	1000 W
Ø180 mm	115 W	175 W	250 W	600 W	850 W	1500 W
Ø145 mm rapid	135 W	165 W	250 W	500 W	750 W	1500 W
Ø180 mm rapid	175 W	220 W	300 W	850 W	1150 W	2000 W
Ø220 mm	220 W	350 W	560 W	910 W	1460 W	2000 W

1. Electric hotplates have standard of 6 temperature levels. (as describe herein above)

2. When using first time, operate your electric hotplate in position 6 for 5 minutes. This will make the agent on your hotplate which is sensitive to heat get hardened by burning.

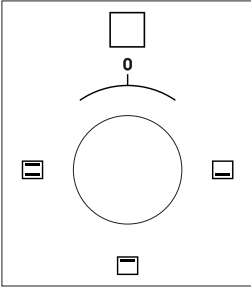
3. Use flat bottomed saucepans which fully contact with the heat as much as you can, so that you can use the energy more productively.

### Pot Sizes

50*50	
Small burner	12-18 cm
Normal burner	18-20 cm
Big burner	22-24 cm
WOK burner	24-28 cm



## PROGRAM TYPES



**Function Button:** Used for determining the heaters to be used for cooking the dish to be cooked in the oven. Heater program types in this button and their functions are described below. All heater types and program types consisting of these heaters may not be available at all models.

	Roast chicken		Fan
	Lower and upper heating elements		Turbo heating and fan
	Lamp		Lower-upper heating element and fan
	Lower heating element and fan		Grill and fan
	Grill and roast chicken		Grill
	Grill and lamp		Upper heating element
	Electrical timer		Lower heating element
	Flame		Ignition lighter

**WARNING:** All heater types and program types consisting of these heaters may not be available at all models.

## COOKING TIME TABLE

**WARNING:** Oven must be preheated for 10 minutes before placing the food in it.

Foods	Cooking function	Temperature (°C)	Rack position	Cooking duration (min.)
Cake (Tray / Mold)	Static / Static+Fan	170-180	2	35-45
Small cakes	Static / Turbo+Fan	170-180	2	25-30
Patty	Static / Static+Fan	180-200	2	35-45
Pastry	Static	180-190	2	25-30
Cookie	Static	170-180	3	20-25
Apple pie	Static / Turbo+Fan	180-190	2	50-70
Sponge cake	Static	200/150 *	2	20-25
Pizza	Static+Fan	180-200	3	20-30
Lasagna	Static	180-200	2	25-40
Meringue	Static	100	2	60
Chicken	Static+Fan / Turbo+Fan	180-190	2	45-50
Grilled chicken **	Grill	200-220	4	25-30
Grilled fish **	Grill+Fan	200-220	4	25-30
Sirloin steak **	Grill+Fan	Max.	4	15-20
Grilled meat balls **	Grill	Max.	4	20-25

\* Without pre-heating. Half of the cooking should be 200°C and then second half should be 150°C.

\*\* During the half of cooking, meal should be turned around.

## MAINTENANCE AND CLEANING

1. Disconnect the plug supplying electricity for the oven from the socket.
2. While oven is operating or shortly after it starts operating, it is extremely hot. You must avoid touching from heating elements.
3. Never clean the interior part, panel, lid, trays and all other parts of the oven by the tools like hard brush, cleaning mesh or knife. Do not use abrasive, scratching agents and detergents.
4. After cleaning the interior parts of the oven with a soapy cloth, rinse it and then dry thoroughly with a soft cloth.
5. Clean the glass surfaces with special glass cleaning agents.
6. Do not clean your oven with steam cleaners.
7. Before opening the upper lid of the oven, clean spilled liquid off the lid. Also, before closing the lid, ensure that the cooker table is cooled enough.
8. Never use inflammable agents like acid, thinner and gasoline when cleaning your oven.
9. Do not wash any part of your oven in dishwasher.
10. In order to clean the front glass lid of the oven; remove the fixing screws fixing the handle by means of a screwdriver and remove the oven door. Then clean and rinse it thoroughly. After drying, place the oven glass properly and re-install the handle.

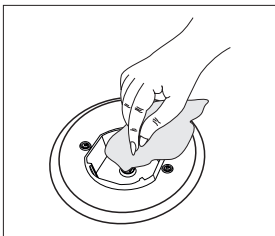


Figure 18

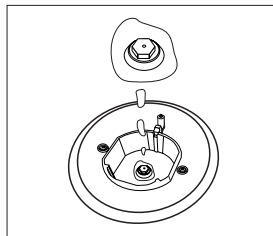


Figure 19

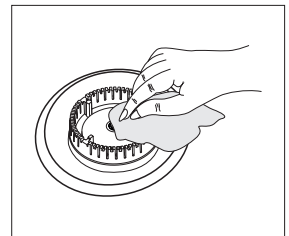


Figure 20

## Installation Of The Oven Door

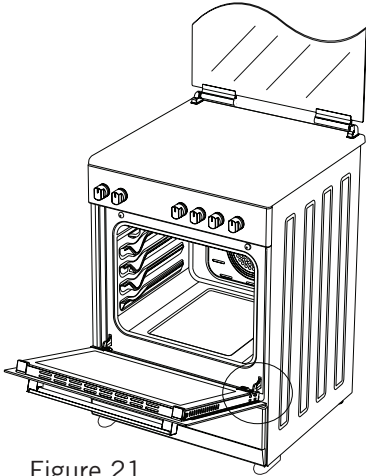


Figure 21

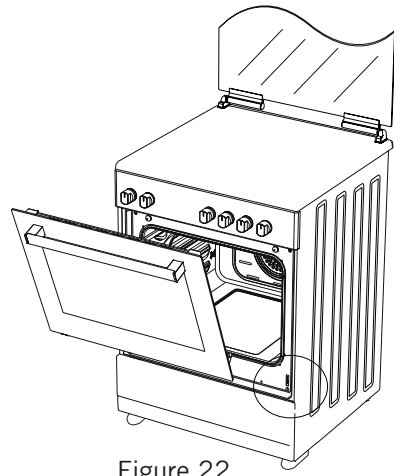


Figure 22

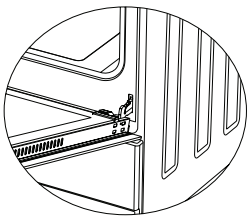


Figure 21.1

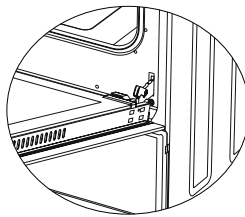


Figure 21.2

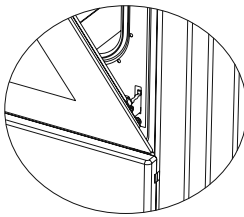


Figure 22.1

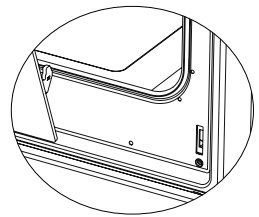


Figure 22.2

Completely open the oven door by pulling it to yourself. Afterwards, perform the unlocking process by pulling the hinge lock upwards with the help of a screw driver as shown in **figure 21.1**.

Bring the hinge lock to the widest angle as shown in **figure 21.2**. Bring both hinges connecting the oven door to the oven to the same position.

Afterwards, close the oven door as to lean on the hinge lock as shown in **figure 22.1**.

To remove the oven door, pull it upwards by holding it with both hands when close to the closed position as shown in **figure 22.2**.

In order to re-place the oven door, perform the abovementioned steps in reverse.

## Changing The Oven Lamp

**WARNING:** To avoid electric shock, ensure that the appliance circuit is open before changing the lamp. (having circuit open means power is off)

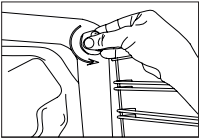
First disconnect the power of appliance and ensure that appliance is cold.

Remove the glass protection by turning as indicated in the figure. If you have difficulty in turning, then using plastic gloves will help you in turning.

Then remove the lamp by turning, install the new lamp with same specifications.

Reinstall glass protection, plug the power cable of appliance into electrical socket and complete replacement. Now you can use your oven.

### Type G9 Lamp



220-240 V, AC  
15-25 W

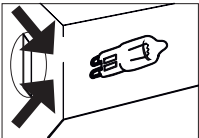
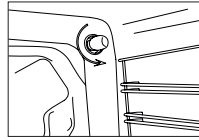


Figure 23

### Type E14 Lamp



220-240 V, AC  
15 W

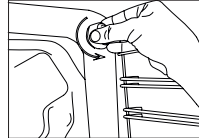


Figure 24

## Using The Grill Deflector Sheet \*

1. A safety panel is designed to protect control panel and the buttons when the oven is in grill mode. (figure 25)

2. Please use this safety panel in order to avoid the heat to damage control panel and the buttons when the oven is grill mode.

**WARNING:** Accessible parts may be hot when the grill in use. Young children should be kept away.

3. Place the safety panel under control panel by opening the oven front cover glass. (figure 26)

4. And then secure the safety panel in between oven and front cover by gently closing the cover. (figure 27)

5. It is important for cooking to keep the cover open in specified distance when cooking in grill mode.

6. Safety panel will provide an ideal cooking circumstance while protecting control panel and buttons.

**WARNING:** If the cooker has the “closed grill functioned” option with thermostat, you can keep the oven door closed during operation; in this case the grill deflector sheet will be unnecessary.

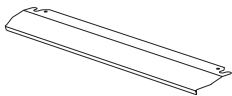


Figure 25

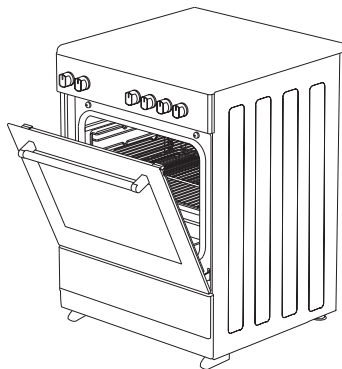


Figure 26

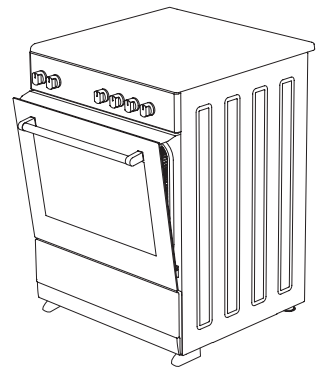


Figure 27

## TROUBLESHOOTING

You may solve the problems you may encounter with your product by checking the following points before calling the technical service.

### Check Points

In case you experience a problem about the oven, first check the table below and try out the suggestions.

Problem	Possible cause	What to do
<b>Oven does not operate.</b>	Power supply not available.	Check for power supply.
	Gas supply not available.	Check if main gas valve is open.
		Check if gas pipe is bent or kinked.
		Make sure gas hose is connected to the oven.
	Check if suitable gas valve is being used.	
<b>Oven stops during cooking.</b>	Plug comes out from the wall socket.	Re-install the plug into wall socket.
<b>Turns off during cooking.</b>	Too long continuous operation.	Let the oven cool down after long cooking cycles.
	More than one plugs in a wall socket.	Use only one plug for each wall socket.
<b>Oven door is not opening properly.</b>	Food residues jammed between the door and internal cavity.	Clean the oven well and try to re-open the door.
<b>Lighter not operating.</b>	Tips or body of ignition plugs are clogged.	Clean tips or body of ignition plugs of gas burners.
	Gas burner pipes are clogged.	Clean gas burner pipes.
<b>Electric shock when touching the oven.</b>	No proper grounding.	Make sure power supply is grounded properly.
	Ungrounded wall socket is used.	



<b>Problem</b>	<b>Possible cause</b>	<b>What to do</b>
<b>Water dripping.</b>	Water or steam may generate under certain conditions depending on the food being cooked. This is not a fault of the appliance.	Let the oven cool down and then wipe dry with a dishcloth.
<b>Steam coming out from a crack on oven door.</b>		
<b>Water remaining inside the oven.</b>		
<b>Oven does not heat.</b>	Oven door is open.	Close the door and restart.
	Oven controls not correctly adjusted.	Read the section regarding operation of the oven and reset the oven.
	Fuse tripped or circuit breaker turned off.	Replace the fuse or reset the circuit breaker. If this is repeating frequently, call an electrician.
<b>Smoke coming out during operation.</b>	When operating the oven for the first time.	Smoke comes out from the heaters. This is not a fault. After 2-3 cycles, there will be no more smoke.
	Food on heater.	Let the oven to cool down and clean food residues from the heater.
<b>When operating the oven burnt or plastic odour coming out.</b>	Plastic or other not heat resistant accessories are being used inside the oven.	At high temperatures, use suitable glassware accessories.
<b>Oven does not cook well.</b>	Oven door is opened frequently during cooking.	Do not open oven door frequently, if the food you are cooking does not require turning. If you open the door frequently internal temperature drops and therefore cooking result will be influenced.
<b>Internal light is dim or does not operate.</b>	Foreign object covering the lamp during cooking.	Clean internal surface of the oven and check again.
	Lamp might be failed.	Replace with a lamp with same specifications.

## HANDLING RULES

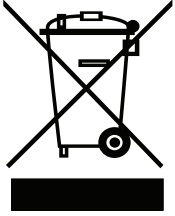
1. Do not use the door and/or handle to carry or move the appliance.
2. Carry out the movement and transportation in the original packaging.
3. Pay maximum attention to the appliance while loading/unloading and handling.
4. Make sure that the packaging is securely closed during handling and transportation.
5. Protect from external factors (such as humidity, water, etc.) that may damage the packaging.
6. Be careful not to damage the appliance due to bumps, crashes, drops, etc. while handling and transporting and not to break or deform it during operation.

## RECOMMENDATIONS FOR ENERGY SAVING

Following details will help you use your product ecologically and economically.

1. Use dark coloured and enamel containers that conduct the heat better in the oven.
2. As you cook your food, if the recipe or the user manual indicates that pre-heating is required, pre-heat the oven.
3. Do not open the oven door frequently while cooking.
4. Try not to cook multiple dishes simultaneously in the oven. You may cook at the same time by placing two cookers on the wire rack.
5. Cook multiple dishes successively. The oven will not lose heat.
6. Turn off the oven a few minutes before the expiration time of cooking. In this case, do not open the oven door.
7. Defrost the frozen food before cooking.

## ENVIRONMENTALLY-FRIENDLY DISPOSAL



Dispose of packaging in an environmentally-friendly manner.

This appliance is labelled in accordance with European Directive 2012/19/EU concerning used electrical and electronic appliances (waste electrical and electronic equipment - WEEE). The guideline determines the framework for the return and recycling of used appliances as applicable throughout to the EU.

## PACKAGE INFORMATION

Packaging materials of the product are manufactured from recyclable materials in accordance with our National Environment Regulations. Do not dispose of the packaging materials together with the domestic or other wastes. Take them to the packaging material collection points designated by the local authorities.

## УВАЖАЕМЫЙ ПОКУПАТЕЛЬ!

Благодарим Вас за то, что отдали предпочтение нашей бытовой технике.

Надеемся, что Вам понравится продукция нашей компании, и в будущем Вы отдадите ей предпочтение.

Данное изделие произведено на современном оборудовании без нанесения вреда окружающей среде.

Соответствует требованиям положений Директивы ЕС об отходах электрического и электронного оборудования (WEEE).

### ПРИМЕЧАНИЕ

Данное руководство по эксплуатации предназначено для нескольких моделей, наличие режимов и функций может отличаться. Все рисунки схематичны. Функции и комплектующие, обозначенные знаком «\*», являются дополнительной опцией и могут отсутствовать в Вашем изделии.

Внимательно прочтите руководство, в нём даются важные указания по безопасной установке, эксплуатации и техобслуживанию. Позаботьтесь о сохранности руководства по эксплуатации для использования его в дальнейшем. При передаче данного устройства новому владельцу не забудьте передать все документы.

## Содержание

Важные предупреждения.....	46
Характерные неисправности газового оборудования.....	46
Электрическое соединение.....	62
Подключение к газовой магистрали.....	63
Описание изделия.....	68
Принадлежности.....	69
Технические характеристики духового шкафа.....	70
Установка духовки.....	72
Иллюстрация крепления цепью.....	75
Панель управления.....	75
Использование духовки.....	76
Использование гриля.....	77
Использование обжаривания курицы.....	77
Использование варочной поверхности.....	78
Виды программ.....	80
Таблица приготовления.....	81
Обслуживание и уход.....	82
Монтаж дверцы плиты.....	83
Замена лампы.....	84
Использование отражающего листа гриля.....	85
Нахождение и устранение неисправностей.....	86
Правила обращения.....	88
Советы по энергосбережению.....	88
Утилизация с учетом экологических требований.....	89
Информация об упаковке.....	89
Данные о производителе.....	90

## ВАЖНЫЕ ПРУДУПРЕЖДЕНИЯ

1. Установка и ремонт должны быть выполнены **«АВТОРИЗОВАННЫМ СЕРВИСНЫМ ЦЕНТРОМ»**. Производитель не несет ответственности за работы, осуществляемые несанкционированными лицами.
2. Внимательно изучите данные инструкции по эксплуатации. Только таким образом вы можете безопасно и правильно использовать прибор.
3. Следует использовать духовой шкаф в соответствии с инструкциями по эксплуатации.
4. Не позволяйте детям младше 8 лет, и домашним животным приближаться к прибору, когда он работает.
5. **ПРЕДУПРЕЖДЕНИЕ: Доступные части могут быть горячими при использовании гриля. Хранить в недоступном для детей месте.**
6. **ПРЕДУПРЕЖДЕНИЕ: Пожароопасность: не храните материалы на варочной поверхности.**
7. **ПРЕДУПРЕЖДЕНИЕ: Во время эксплуатации данное устройство и его детали становятся горячими.**
8. Условия регулировки данного прибора указаны на заводской табличке. (Или на табличке производителя)
9. Доступные поверхности могут быть горячими при использовании гриля. Не подпускайте к печи маленьких детей.

**10. ПРЕДУПРЕЖДЕНИЕ:** Данный прибор предназначен для приготовления пищи. Его нельзя использовать для других целей, таких как обогрев комнаты.

**11.** Не используйте пароочистители для чистки прибора.

**12.** После того, как вы положите пищу в духовку, убедитесь, что дверца духовки полностью закрыта.

**13. НИКОГДА** не пытайтесь потушить огонь водой. Только выключите питание прибора, а затем закройте пламя крышкой или пожарным одеялом.

**14.** Детей до 8 лет не следует подпускать к прибору, если они не находятся под постоянным присмотром.

**15.** Следует избегать прикосновения к нагревательным элементам.

**16. ВНИМАНИЕ:** Процесс приготовления нельзя оставлять без присмотра. Не следует оставлять процесс приготовления без присмотра.

**17.** Данный прибор может использоваться детьми старше 8 лет, людьми с ограниченными физическими, сенсорными или умственными возможностями или с недостатком опыта или знаний; если они находятся под присмотром или они осведомлены об имеющихся опасностях.

**18.** Данный прибор разработан исключительно для использования в бытовых условиях.

**19.** Дети не должны играть с устройством. Чистка или обслуживание прибора не должны осуществляться детьми, если они не старше 8 лет и не находятся под присмотром взрослых.

**20.** Храните прибор и шнур питания в месте, недоступном для детей в возрасте младше 8 лет.

**21.** Перед тем, как начать использовать прибор, поместите шторы, тюль, бумагу или любой воспламеняющийся (воспламеняемый) материал подальше от него. Не помещайте воспламеняющиеся или легковоспламеняющиеся материалы на прибор или в него.

**22.** Держите вентиляционные каналы открытыми.

**23.** Прибор не подходит для эксплуатации с внешним таймером или отдельной системой дистанционного управления.

**24.** Не нагревайте консервы и стеклянные банки. Давление может привести к взрыву банок.

**25.** Ручка духового шкафа не является полотенцесушителем. Не вешайте полотенца и т. д. на ручке духового шкафа.

**26.** Не размещайте противни, плиты или алюминиевую фольгу для духовки непосредственно на нижнюю часть духовки. Накопленное тепло может повредить основание печи.

**27.** При размещении продуктов питания в духовку или извлечении пищи из духовки и т. д. всегда используйте термостойкие перчатки.



**28.** Не используйте прибор в таких состояниях, как под воздействием лекарств и/или алкоголя, которое может повлиять на вашу способность к суждению.

**29.** Будьте осторожны при смешивании алкоголя с едой. Алкоголь испаряется при высоких температурах и вызвать пожар, если он соприкасается с горячими поверхностями.

**30.** После каждого использования проверьте, выключен ли прибор.

**31.** Если прибор неисправен или имеет видимые повреждения, не используйте его.

**32.** Не касайтесь штепсельную вилку мокрыми руками. Не тяните за шнур питания, чтобы отключить прибор от сети электропитания; всегда придерживайте вилку рукой.

**33.** Не используйте прибор, если стекло передней дверцы удалено или сломано.

**34.** Положите бумагу для выпечки вместе с пищей в предварительно нагретую духовку, поместив ее в духовку или на аксессуар для духовки (противень, проволочная решетка и т. д.).

**35.** Не размещайте предметы на приборе, которые могут быть доступными для детей.

**36.** Важно правильно поместить проволочную решетку и противень на проволочные полки и / или правильно поместить противень на полку. Поместите решетку или противень между двумя направляющими и убедитесь, что он сбалансирован, прежде чем положить на него пищу.

**37.** Чтобы предотвратить риск прикосновения к нагревательным элементам духовки, удалите лишние части пекарской бумаги, которые висят от аксессуара или сосуда.

**38.** Никогда не используйте пекарскую бумагу при более высоких температурах духовки, чем максимальная температура использования, указанная на вашей пекарской бумаге. Не размещайте бумагу для выпечки на нижнюю часть духовки.

**39.** Когда дверца открыта, не помещайте тяжелый предмет на дверцу или не позволяйте детям сидеть на ней. Это может привести к опрокидыванию печи или к повреждению дверных петель.

**40.** Упаковочные материалы представляют опасность для детей. Храните упаковочные материалы в недоступном для детей месте.

**41.** Не используйте абразивные чистящие средства или острые металлические скребки для очистки стекла, так как царапины, которые могут возникать на поверхности стекла дверцы, могут привести к разбитию стекла.

**42.** Не размещайте прибор на поверхности, покрытой коврами. Электрические детали перегреваются, так как проветривание снизу не осуществляется. Это приведет к сбою прибора.

**43.** Не ударяйте стеклянные поверхности керамической варочной конфорки твердым металлом; это может привести к повреждению резисторов. Это может привести к поражению электрическим током.

**44.** Пользователь не должен ремонтировать печь самостоятельно.

**45.** Соблюдайте осторожность при очистке газовых горелок. Это может привести к травмам.

**46.** Пища может пролиться, если ножка духовки разобрана или сломана; будьте осторожны. Это может привести к травмам.

**47.** При использовании внутренние и внешние поверхности духовки становятся горячими. Когда вы открываете дверцу духовки, отходите назад, чтобы избежать горячего пара, выходящего изнутри. Имеется риск ожога.

**48.** Верхняя крышка духовки может закрываться по какой-либо причине, вызывая опрокидывание кастрюли. Отходите назад, чтобы избежать горячей пищи. Имеется риск ожога.

**49.** Не размещайте тяжелые предметы на дверцу духовки, когда дверца открыта, возникает риск опрокидывания.

**50.** Не переместите резистор при чистке. Это может привести к поражению электрическим током.

**51.** Не удаляйте переключатели зажигания с прибора. В противном случае электрические кабели, находящиеся под напряжением, могут быть доступными. Это может привести к поражению электрическим током.

**52.** Питание духовки можно отключать во время любых строительных работ дома. После завершения работ повторное подключение духовки к электросети должно выполняться авторизованным сервисом.

**53.** Не положите металлические предметы, такие как нож, вилка, ложка на поверхность прибора, так как они становятся горячими.

**54.** Прибор нельзя устанавливать за декоративным покрытием во избежание перегрева.

**55.** Прежде чем снимать защитные устройства, выключите прибор. После очистки установите защитные устройства в соответствии с инструкциями.

**56.** Точки крепления кабеля должны быть защищены.

**57. ПРЕДУПРЕЖДЕНИЕ: Не используйте духовку и гриль одновременно.**

**58.** Пожалуйста, не готовьте пищу непосредственно на противне / решетке. Положите пищу в соответствующие инструменты, прежде чем положить ее в духовку.

**59.** Горячая поверхность; дайте ей остыть, прежде чем закрыть крышку.

## Электробезопасность

1. Подключите устройство в заземленную розетку, защищенную предохранителем, соответствующим значениям, приведенным в таблице технических характеристик.

2. Регулировка оборудования заземления должна быть выполнена квалифицированным электриком. Наша компания не несет ответственности за ущерб, который может возникнуть в результате эксплуатации прибора без заземления в соответствии с местными правилами.

3. Автоматические выключатели духовки должны быть размещены так, чтобы конечный пользователь мог их достичь, когда духовка установлена.

4. Шнур питания (шнур со штепсельной вилкой) не должен соприкасаться с горячими частями прибора.

5. Если шнур питания (шнур со штепсельной вилкой) поврежден, такой шнур должен быть заменен производителем или его дилером по техническому обслуживанию или не менее квалифицированным персоналом во избежание опасности.

6. Никогда не мойте прибор путем распыления или наливания на него воды. Имеется риск поражения электрическим током.

**7. ПРЕДУПРЕЖДЕНИЕ: Во избежание поражения электрическим током перед заменой лампы убедитесь, что питание прибора отключено.**

**8. ПРЕДУПРЕЖДЕНИЕ:** Перед обращением с клеммами отсоедините все соединения цепи питания.

**9. ПРЕДУПРЕЖДЕНИЕ:** Если на поверхности имеются трещины, следует отключать устройство во избежание поражения электрическим током.

**10.** Не используйте порванные или поврежденные шнуры или удлинители; используйте только оригинальный шнур.

**11.** При подключении штепсельной вилки к розетке, убедитесь, что в розетке нет жидкости или влаги.

**12.** Задняя панель духовки также нагревается при эксплуатации. Электрические соединения не должны соприкасаться с задней панелью, в противном случае соединения могут быть повреждены.

**13.** Не закрепляйте соединительные кабели на дверцу духовки и не проложите кабели через горячие поверхности. Если шнур расплавится, это может привести к короткому замыканию духовки и даже к пожару.

**14.** Для установки, технического обслуживания, очистки и ремонта отключайте прибор от сети электропитания.

**15.** В случае повреждения шнура питания необходимо обратиться к производителю, в авторизованный сервисный центр или к любым другим квалифицированным специалистам для его замены на аналогичный во избежание опасных ситуаций.

**16.** Убедитесь, что штепсельная вилка плотно вставлена в розетку, чтобы избежать образования искр.

**17.** Не используйте пароочистители при очистке прибора, в противном случае может возникнуть поражение электрическим током.

**18.** Для установки требуется многополюсный переключатель, способный отключать источник питания. Отключение от источника питания должно быть снабжено переключателем или встроенным предохранителем, установленным на стационарном источнике питания в соответствии с условиями здания.

**19.** Прибор

**20.** Неподвижные соединения должны быть подключены к источнику питания, обеспечивающему многополюсное отключение. Для приборов с защитой от перенапряжения ниже III категории, устройство отключения должно быть подключено к источнику питания с фиксированным напряжением в соответствии с кодом проводки.

## Газобезопасность

**1.** Данный прибор не подключается к установке удаления продуктов горения. Данный прибор должен быть подключен и установлен в соответствии с действующими правилами установки. Особенно следует учитывать условия, касающиеся вентиляции.

**2.** Когда используется газовая плита, влажность, тепла и продукты горения образуются в помещении. Прежде всего, убедитесь, что кухня хорошо проветривается при эксплуатации прибора и держите отверстия естественного проветривания открытыми или установите механическое вентиляционное оборудование.

**3.** После интенсивного использования прибора в течение длительного времени может потребоваться дополнительная вентиляция. Например, откройте окно или установите механическую вентиляцию на более высокую скорость, если таковая имеется.

**4.** Следует использовать данный прибор только в хорошо проветриваемых местах в соответствии с действующими правилами. Перед установкой или использованием данного прибора ознакомьтесь с руководством по эксплуатации.

**5.** Перед размещением прибора убедитесь, что условия локального трубопровода (тип газа и давление газа) соответствуют характеристикам прибора.



**6.** Механизм не может работать более 15 секунд. Если конфорка не зажигается через 15 секунд, остановите механизм и подождите, по крайней мере, одну минуту, прежде чем пытаться снова зажечь конфорку.

**7.** Все виды работ при подключении к газовой магистрали должны выполняться уполномоченными и компетентными людьми.

**8.** Данный прибор настроен для работы с природным газом (NG). Если вы должны использовать свой прибор с другим типом газа, вам необходимо обратиться в уполномоченный сервис для переналадки.

**9.** Для правильной работы следует периодически заменять колпачок, газовую трубу и зажим в соответствии с рекомендациями производителя и при необходимости.

**10.** Газ должен хорошо гореть в газовых приборах. Если газ горит синим пламенем и непрерывно, это показывает, что газ хорошо горит. Если газ не горит достаточно хорошо, может образоваться окись углерода (CO). Окись углерода представляет собой бесцветный, очень токсичный газ без запаха; даже небольшое количество имеет летальный исход.

**11.** Свяжитесь с местными поставщиками газа для получения телефонных номеров учреждений, занимающихся чрезвычайными ситуациями, связанными с газом, и сведений о мерах, которые необходимо принять при обнаружении запаха газа.

## Характерные неисправности газового оборудования и методы их устранения

**Внимание!!** В случае возникновения пожара перекрыть общий кран подачи газа и краны на варочной поверхности, вызвать пожарную службу по телефону 01 и принять меры по тушению огня.

■ Если рядом с поверхностью находятся бытовые электроприборы, подключённые к сети (чайники, тостеры, кофемолки и т.п.), следите, чтобы их провод не попал в зону пламени горелок.

**Внимание!!** Самыми распространёнными несчастными случаями, связанными с газом, являются ожоги. Как правило, они происходят:

- при касании горячих частей прибора;
- при расплёскивании кипящих жидкостей;
- при опрокидывании посуды, стоящей на передних конфорках.


■ Будьте аккуратны и особенно внимательно следите за своими малышами, а лучше не пускайте их на кухню, пока прибор работает или остывает.

■ Во время работы некоторые детали варочной панели сильно разогреваются и сохраняют тепло значительное время после выключения. Будьте осторожны, не прикасайтесь к ним и предупредите детей – возможны ожоги.

**Внимание!!** При эксплуатации моделей варочных поверхностей из закаленного стекла, если стекло треснуло, отключите прибор для предотвращения поражения электрическим током.

**Внимание!!** При появлении запаха газа необходимо перекрыть общий кран подачи газа, закрыть все краны прибора, открыть окна и до устранения утечек не производить никаких действий, связанных с огнем: не зажигать спички, не курить, не включать (выключать) электроприборы и освещение. Для устранения утечек газа немедленно вызовите аварийную газовую службу.

■ При возникновении технических неполадок при работе прибора необходимо немедленно отключить электропитание и перекрыть общий кран подачи газа, перекрыть все краны конфорок и вызвать представителя газовой службы.



■ Периодически (не реже одного раза в полгода) проверяйте состояние кабеля электропитания и гибкого шланга подвода газа. При обнаружении каких-либо дефектов (трещины, следы оплавлений) немедленно обратитесь в сервисную службу.

Гибкий шланг подвода газа заменяется только персоналом специализированных организаций, имеющих право установки и обслуживания газового оборудования.

■ Особую осторожность проявляйте при приготовлении блюд с большим количеством жира или масла, так как они легко воспламеняются.

**Внимание!!** Нельзя тушить воспламенившееся масло или жир водой! В таких случаях посуду с огнем нужно плотно накрыть крышкой.

## Таблица возможных неисправностей и меры по их устранению.

Что произошло?	Возможная причина	Что делать?
Конфорки не зажигаются. Неровное, нестабильное пламя.	Неровность пламени вызвано неправильной настройкой подачи газа.	Обратитесь к специалисту для проверки газопровода.
Внезапные перепады пламени в конфорках.	Неправильно установлены детали конфорки.	Соберите конфорку правильно.
Для зажигания конфорки требуется больше времени.	Неправильно установлены детали конфорки.	Соберите конфорку правильно.
Пламя гаснет вскоре после возгорания.	Ручка нажата слишком быстро или слишком слабо.	Удерживайте ручку нажатой дольше.
Произошло обесцвечивание решетки в зоне конфорки.	Это распространенное явление, вызванное воздействием высокой температуры.	Очистите решетку с применением чистящего средства для ухода за металлическими деталями.
Полностью отсутствует электропитание.	Плохое электрическое соединение.	Проверьте подключение прибора к электроэнергии.
Не работает электроподжиг конфорок.	Между конфоркой и свечой зажигания скопились остатки моющего средства или пищи.	Тщательно очистите зазор между свечой зажигания и конфоркой.
Крышка конфорки загрязнена.	Обычное загрязнение.	Очистите крышки конфорок с применением чистящего средства для ухода за металлическими деталями.

Если, следуя инструкциям, неполадку устранить не удалось, вызовите уполномоченного специалиста.

## **Целевое использование**

- 1.** Данный прибор предназначен для использования в бытовых условиях. Коммерческое использование прибора не допускается.
- 2.** Данный прибор можно использовать только для приготовления пищи. Его не следует использовать для других целей, таких как обогрев комнаты.
- 3.** Данный прибор не следует использовать для нагрева пластин под решеткой, сушки одежды или полотенца путем подвешивания их на ручке или для обогрева.
- 4.** Производитель не несет ответственности за какие-либо повреждения, возникшие в результате неправильного использования устройства или обращения с ним.
- 5.** Духовку прибора можно использовать для размораживания, обжаривания, жарки и приготовления гриля.
- 6.** Срок службы приобретенного Вами прибора составляет 10 лет. В течение данного периода времени запасные части, необходимые для работы этого прибора, как определено, предоставляется изготовителем.

## Электрическое Соединение

1. Ваша духовка требует 16- или 32-Амперный предохранитель в зависимости от мощности прибора. При необходимости рекомендуется установка квалифицированным электриком.

2. Ваша духовка изготовлена в соответствии с параметрами электро-снабжения: 220-240В / 380-415В переменного тока 50 / 60Гц. Если электросеть отличается от приведенных параметров, обратитесь в авторизованный сервис.

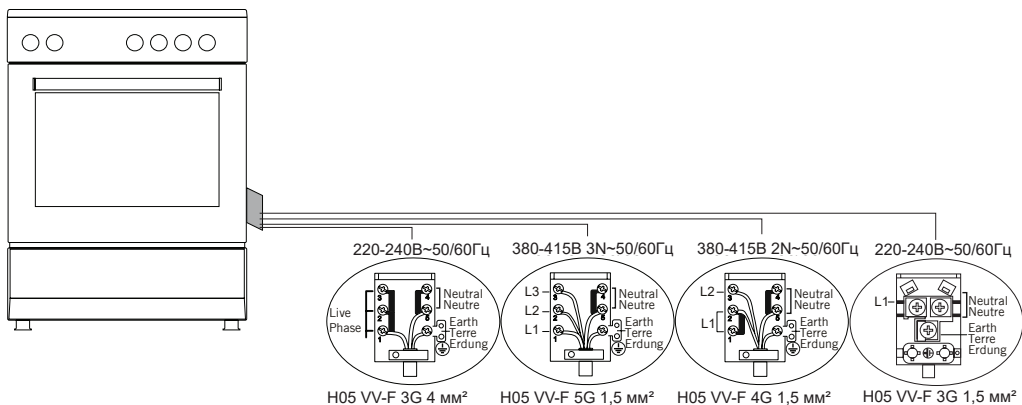
3. Электрическое подключение духовки должно производиться только в заземленные по правилам розетки. Если отсутствует надлежащее заземление розетки в том месте, где будет размещена духовка, немедленно обратитесь к квалифицированному электрику. Производитель не несет ответственности за повреждения, вызванные по причине неправильно заземленных розеток. Если концы электрического соединительного кабеля открыты, в зависимости от типа устройства, сделайте правильный выключатель, установленный в сеть, с помощью которого все концы могут быть отключены в случае подключения / отключения от / к сети.

4. В случае неисправности электрического кабеля, его немедленно следует заменить авторизованным сервисным центром или квалифицированным электриком во избежание возникновения опасности.

5. Кабель устройства не должен соприкасаться с его горячими деталями.

6. Используйте духовку в сухом месте.

## Схема электрического соединения



## Подключение К Газовой Магистрالي

**ПРЕДУПРЕЖДЕНИЕ:** Прежде чем приступить к любой работе, связанной с газовой установкой, отключите подачу газа. **ВЗРЫВООПАСНОСТЬ!**

Используйте духовку в сухом месте.

1. Разместите зажим на шланге. Проталкивайте один из шлангов, пока он не дойдет до конца трубы.

2. Для контроля уплотнения; убедитесь, что кнопки на панели управления закрыты, но газовый баллон открыт. Нанесите несколько мыльных пузырей на соединение. При наличии утечки газа, произойдет вспенивание в намыленной области.

3. Духовка должна быть установлена в хорошо вентилируемом помещении и располагаться на ровной поверхности.

4. Повторно проверьте подключение газа.

5. При размещении духовки на место, убедитесь, что она находится на уровне столешницы. Доведите ее до уровня столешницы путем регулировки ножек, если это необходимо.

6. Будьте внимательны: газовый шланг и электрический кабель духовки не должны проходить через нагреваемые части, особенно через заднюю поверхность. Не передвигайте духовку, подключенную к газу. Вследствие передвижения шланг ослабляется, и может произойти утечка газа.

7. Используйте гибкий шланг для газового подключения.

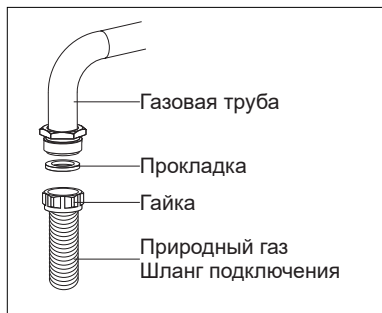
### Для подключения к баллону сжиженного газа;



Для подключения к баллону сжиженного газа (газовый баллон), прикрепите металлический зажим на шланг, поступающий из баллона сжиженного газа. Прикрепите край шланга к разьему впускного шланга, находящегося на задней части устройства, нажав до конца путем нагревания шланга в кипятке. После этого разместите зажим в конце шланга и затяните его с помощью отвертки. Прокладка и разъем впускного шланга, необходимые для подключения, показаны на рисунке ниже.

**ПРИМЕЧАНИЕ:** Регулятор, прикрепленный к баллону сжиженного газа, должен быть 300 мм вод.ст.

## Для подключения к трубопроводу натурального газа;



**ПРЕДУПРЕЖДЕНИЕ:** Подключение к трубопроводу природного газа должно производиться уполномоченной службой.

Для подключения к трубопроводу природного газа, установите прокладку к гайке на кромке соединительного шланга природного газа. Чтобы установить шланг на газопроводе, поверните гайку. Завершите соединение, проконтролировав на предмет утечки газа.

## Проход газового шланга

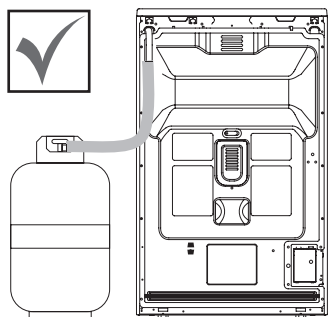


Рис. 1

Подключите устройство к крану газового трубопровода по самому короткому пути, насколько это возможно, и таким способом, чтобы не допустить утечку газа.

Для проверки надежности уплотнения и затяжки убедитесь, что ручки на панели управления закрыты, а газовый цилиндр открыт.

**ПРЕДУПРЕЖДЕНИЕ:** Во время проверки на утечку газа запрещается использовать любые зажигалки, спички, сигареты или им подобные источники огня.

Нанесите мыльную пену на точки соединения. При наличии утечки появятся пузырьки.

В процессе установки устройства на место убедитесь, что оно находится на одном уровне со столешницей. При необходимости отрегулируйте ножки.

Пользуйтесь устройством на уровне поверхности кухонного стола в хорошо вентилируемой среде.

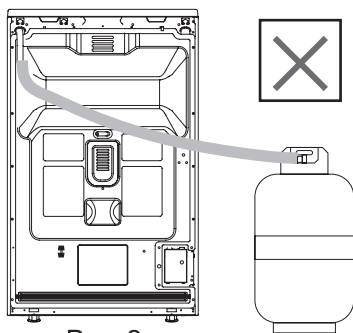


Рис. 2

**ПРЕДУПРЕЖДЕНИЕ:** Перед размещением прибора убедитесь, что местные условия распределения (тип газа и давление) соответствуют настройкам прибора.



## Замена касадок

1. Используйте отвертку со специальной головкой для снятия и установки насадки как показано на (рис. 3)

2. Снимите насадку (рис. 4) с конфорки отверткой со специальной головкой и установите новую насадку. (рис.5)

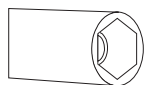


Рис. 3

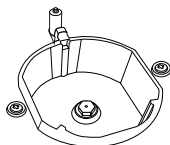


Рис. 4

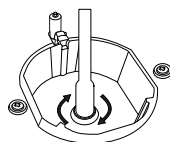


Рис. 5

## Проветривание помещения

Воздух, необходимый для горения, получают из воздуха помещения и выходящие газы подаются прямо в помещение. Для надежной работы Вашего изделия обязательным условием является хорошая вентиляция помещения. Если в помещении отсутствует какое-либо вентиляционное окно или дверь, необходимо установить дополнительную вентиляцию. Однако при наличии открывающейся непосредственно из комнаты двери, отпадает необходимость в вентиляционных отверстиях.

Величина помещения	Вентиляционное отверстие
меньше 5 м <sup>3</sup>	мин. 100 см <sup>2</sup>
от 5 м <sup>3</sup> до 10 м <sup>3</sup>	мин. 50 см <sup>2</sup>
больше 10 м <sup>3</sup>	не требуется
в подвале или киллерах	мин. 65 см <sup>2</sup>

## Регулировка кранов конфорок на снижение потока газа

1. Зажгите конфорку, подлежащую регулировке, и поверните ручку в уменьшенное положение.

2. Снимите ручку с газового крана.

3. Для регулировки регулировочного винта скорости потока используйте отвертку соответствующего размера. Если используется сжиженный газ (бутан-пропан) поверните винт по часовой стрелке. Если натуральный газ используется, следует повернуть винт против часовой стрелки один раз.

«Нормальная длина прямого пламени в уменьшенном положении потока газа должна составлять 6-7 мм».

4. Если пламя выше этого, поверните винт по часовой стрелке. Если пламя ниже вышеуказанной величины, поверните винт против часовой стрелки.

5. Для последней проверки доведите горелку до максимального и уменьшенного положений и проверьте, есть пламя или нет.

В зависимости от типа газового крана, используемого в вашем приборе, положение регулировочного винта может меняться.

Для настройки духового шкафа к типу газа, сделайте настройку уменьшения пламени осторожно, поворачивая винты в центре газовых кранов маленькой отверткой, как показано ниже, а также при замене форсунок. (рис. 6 и 7)

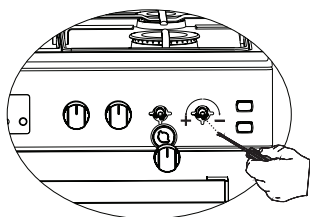


Рис. 6

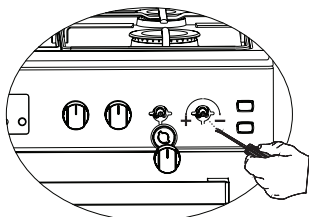


Рис. 7

## Снятие нижней и верхней горелок газовой печи и установка форсунок

### Снятие верхней горелки:

С помощью отвертки снимите винт как показано на рис.8. Как показано на рис.9 снимите горелку с гнезда потянув ее на себя.

Как показано на рис. 10 извлеките форсунку из гнезда с помощью гаечного ключа. Для обратной установки горелки выполнить процедуру обратную процедуре снятия.

Рис. 8

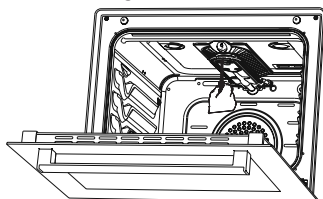


Рис. 9

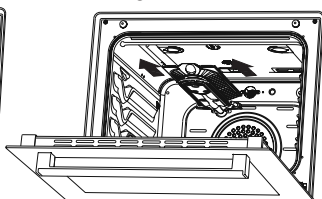
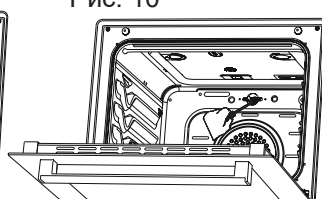


Рис. 10



### Снятие нижней горелки:

Крышка нижней горелки зафиксирована с помощью двух винтов, отсоедините ее с помощью отвертки как показано на рис.11. Снимите крышку потянув ее вверх как показано на рис.12. Как показано на рис. 13 снимите горелку из гнезда движением на себя. Как показано на рис.14 снимите форсунку из гнезда с помощью гаечного ключа. Для обратной установки горелки выполнить обратную снятию процедуру.

Рис. 11

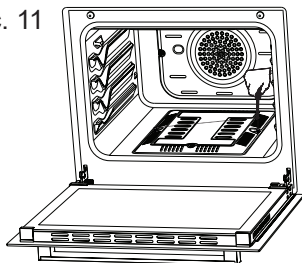


Рис. 12

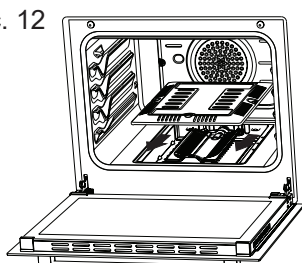


Рис. 13

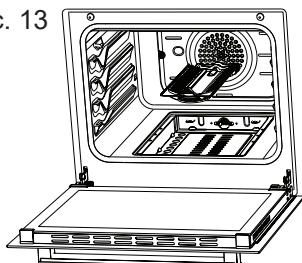
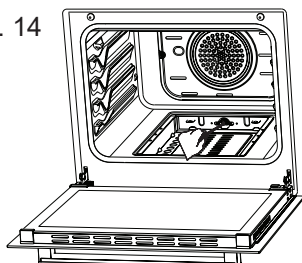
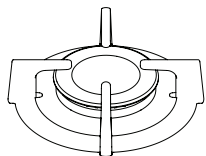


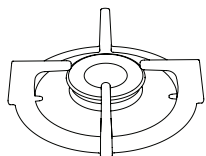
Рис. 14



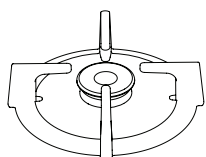
## ОПИСАНИЕ ИЗДЕЛИЯ



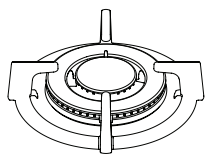
11



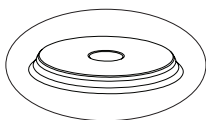
12



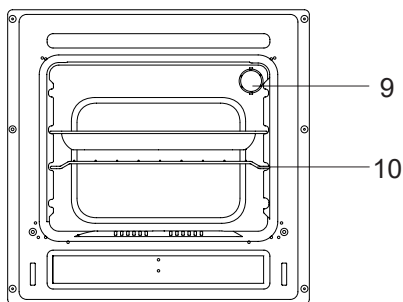
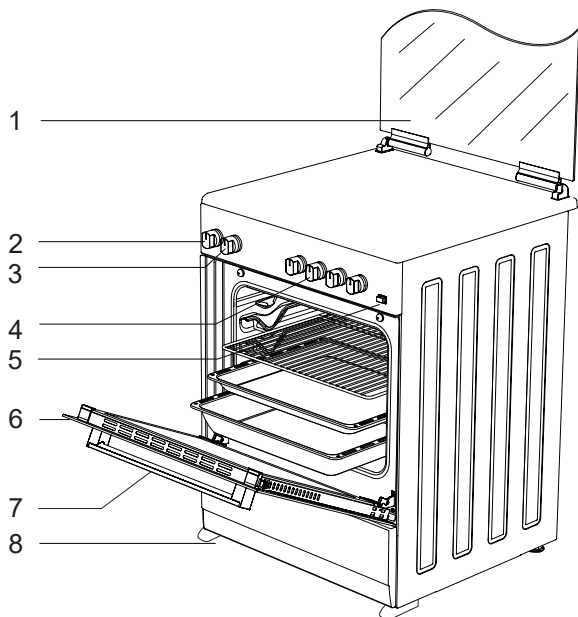
13



14



15

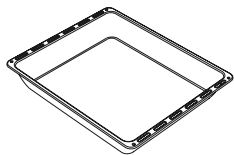


1. Стеклопанель духовки  
(Дверца из металлического листа)
2. Регулятор термостата
3. Регулятор духовки
4. Регулятор варочного отсека переключателя

5. Нажимная кнопка поджига \*
6. Дверца
7. Ручка
8. Пластиковая ножка
9. Лампа
10. Гриль

11. Большая конфорка
12. Стандартная конфорка
13. Вспомогательная конфорка
14. Конфорка Wok \*
15. Горячая пластина \*  
(Ø145 мм или Ø185 мм)

## Принадлежности



### **Глубокий противень \***

Используется для выпечки хлебо-булочных изделий, приготовления больших запеканок, жидких блюд. Используется для выпекания кексов, а также в качестве сборника для жира в случае запекания мясных продуктов или размораживания замороженных продуктов на гриле.



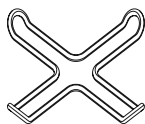
### **Противень \***

Используется для выпекания хлебо-булочных изделий (печенье, бисквиты, и т.д.), размораживания продуктов.



### **Решетка (гриль)**

Используется для жарки, а также для размещения продуктов под запекание, жарку или размораживание на необходимом уровне.



### **Держатель кофейника \***

Можно использовать, чтобы держать кофейник.

## Технические Характеристики Духового Шкафа

Технические характеристики	50x50
Внешняя ширина	500 мм
Внешняя толщина	510 мм
Внешняя высота	850 мм
Мощность лампы	15-25 Вт
Нижний нагревательный элемент	1000 Вт
Верхний нагревательный элемент	800 Вт
Нагревательный элемент гриля	1500 Вт
Напряжение питания	220-240В AC / 380-415В AC 50/60 Гц.
Горячая пластина 145 мм *	1000 Вт
Горячая пластина 180 мм *	1500 Вт
Горячая пластина быстрая 145 мм *	1500 Вт
Горячая пластина быстрая 180 мм *	2000 Вт

**ПРЕДУПРЕЖДЕНИЕ:** Для внесения изменений в авторизованный сервис данная таблица должна быть учтена. Производитель не несет ответственности за любые проблемы, возникающие из-за каких-либо неправильных изменений.

**ПРЕДУПРЕЖДЕНИЕ:** Технические характеристики могут быть изменены без предварительного уведомления для повышения качества продукции.

**ПРЕДУПРЕЖДЕНИЕ:** Значения, предоставляемые прибором или сопроводительными документами, являются лабораторными показаниями в соответствии со стандартами. Эти значения могут различаться в зависимости от условий использования и окружающей среды.

Конфорка Технические характеристики	G20,20 мбар G25,25 мбар			G20,25 мбар		G20,13 мбар	
	Природный Газ			Природный Газ		Природный Газ	
Wok Конфорка	Инжектор	1,40	мм	1,28	мм	1,60	мм
	Расход газа	0,333	м³/ч	0,333	м³/ч	0,333	м³/ч
	Мощность	3,50	кВт	3,50	кВт	3,50	кВт
Интенсивная Конфорка	Инжектор	1,15	мм	1,10	мм	1,45	мм
	Расход газа	0,276	м³/ч	0,276	м³/ч	0,276	м³/ч
	Мощность	2,90	кВт	2,90	кВт	2,90	кВт
Полуинтенсивная Конфорка	Инжектор	0,97	мм	0,92	мм	1,10	мм
	Расход газа	0,162	м³/ч	0,162	м³/ч	0,162	м³/ч
	Мощность	1,70	кВт	1,70	кВт	1,70	кВт
Вспомогательная Конфорка	Инжектор	0,72	мм	0,70	мм	0,85	мм
	Расход газа	0,96	м³/ч	0,96	м³/ч	0,96	м³/ч
	Мощность	0,95	кВт	0,95	кВт	0,95	кВт
Гриль Конфорка	Инжектор	0,92	мм	0,92	мм	---	---
	Расход газа	0,144	м³/ч	0,144	м³/ч	---	---
	Мощность	1,50	кВт	1,50	кВт	---	---
Печь Конфорка	Инжектор	0,97	мм	0,97	мм	---	---
	Расход газа	0,171	м³/ч	0,171	м³/ч	---	---
	Мощность	1,80	кВт	1,80	кВт	---	---

Конфорка Технические характеристики	G30,28-30 мбар G31,37 мбар			G30,50 мбар		G30,37 мбар	
	Сжиженный газ			Сжиженный газ		Сжиженный газ	
Wok Конфорка	Инжектор	0,96	мм	0,76	мм	0,96	мм
	Расход газа	254	г/ч	254	г/ч	254	г/ч
	Мощность	3,50	кВт	3,50	кВт	3,50	кВт
Интенсивная Конфорка	Инжектор	0,85	мм	0,75	мм	0,85	мм
	Расход газа	211	г/ч	211	г/ч	211	г/ч
	Мощность	2,90	кВт	2,90	кВт	2,90	кВт
Полуинтенсивная Конфорка	Инжектор	0,65	мм	0,60	мм	0,65	мм
	Расход газа	124	г/ч	124	г/ч	124	г/ч
	Мощность	1,70	кВт	1,70	кВт	1,70	кВт
Вспомогательная Конфорка	Инжектор	0,50	мм	0,43	мм	0,50	мм
	Расход газа	69	г/ч	69	г/ч	69	г/ч
	Мощность	0,95	кВт	0,95	кВт	0,95	кВт
Гриль Конфорка	Инжектор	0,60	мм	0,55	мм	0,60	мм
	Расход газа	109	г/ч	109	г/ч	109	г/ч
	Мощность	1,50	кВт	1,50	кВт	1,50	кВт
Печь Конфорка	Инжектор	0,65	мм	0,60	мм	0,65	мм
	Расход газа	131	г/ч	131	г/ч	131	г/ч
	Мощность	1,80	кВт	1,80	кВт	1,80	кВт

**ПРЕДУПРЕЖДЕНИЕ:** Значения диаметра, записанные на форсунке, указаны без запятой. Например ; Диаметр 1,70 мм указывается как 170 на инжекторе.



## УСТАНОВКА ДУХОВКИ

Проверьте правильность электромонтажа, чтобы привести прибор в рабочее состояние. Если подключения прибора непригодны для эксплуатации обратитесь к электрику и сантехнику для подведения необходимых коммуникаций. Производитель не несет ответственности за повреждения, вызванные действиями, осуществляемые несанкционированными лицами.

**ПРЕДУПРЕЖДЕНИЕ:** Ответственность клиента заключается в том, чтобы подготовить место размещения продукта, а также подготовить электрическое подключение.

**ПРЕДУПРЕЖДЕНИЕ:** При установке продукта следует соблюдать правила местных стандартов в отношении электроустановок.

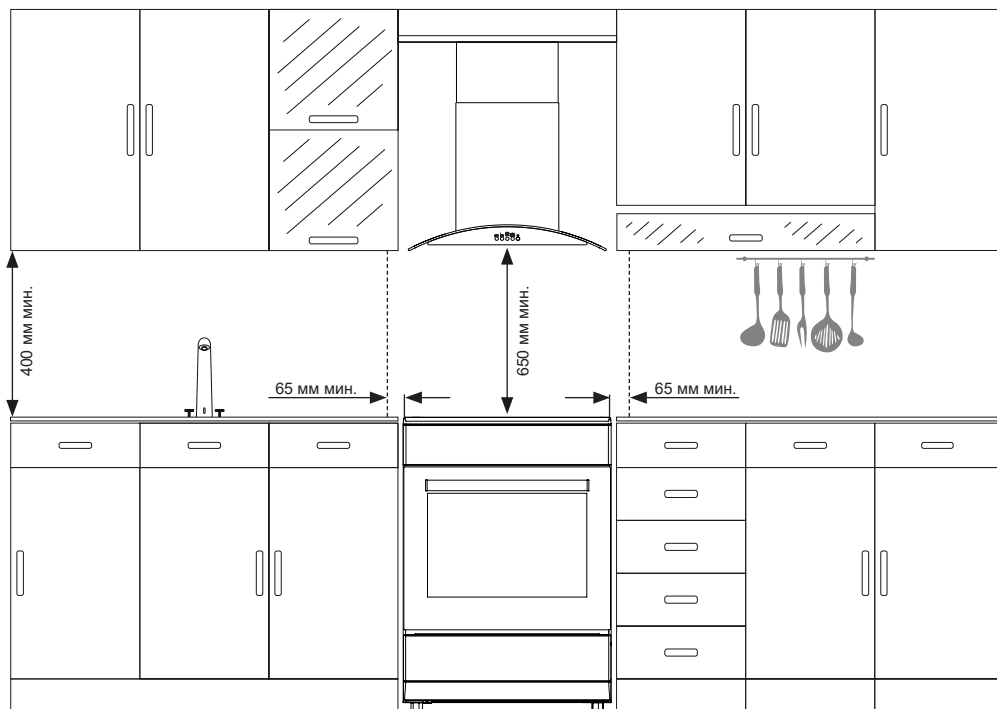
**ПРЕДУПРЕЖДЕНИЕ:** Перед установкой проверьте прибор на наличие повреждений. Не эксплуатируйте прибор, если он поврежден. Поврежденные изделия подвергают риску Вашу безопасность.

### Правильное место для установки и важные предупреждения

Ножки прибора не должны стоять на мягких поверхностях, таких как ковры. Кухонный пол должен быть достаточно прочным для веса прибора и любых других кухонных принадлежностей, которые могут использоваться в духовке.

Прибор следует использовать с зазором минимум 400 мм поверх верхних поверхностей варочной панели и 65 мм от боковых поверхностей внутри кухонной мебели.

Прибор подходит для использования на обеих боковых стенках без опоры или без установки в шкаф. Если над плитой будет установлена вытяжка или aspirатор, следуйте инструкциям производителя по высоте монтажа. (мин. 650 мм)



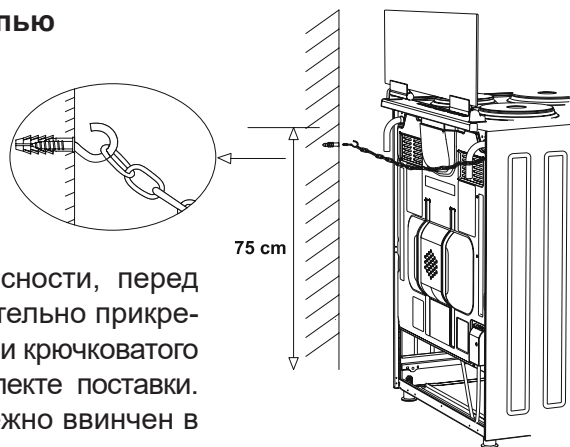
**ПРЕДУПРЕЖДЕНИЕ:** Кухонная мебель рядом с прибором должна быть термостойкой.

**ПРЕДУПРЕЖДЕНИЕ:** Не устанавливайте прибор рядом с холодильниками или морозильниками. Тепло, излучаемое прибором, увеличивает потребление энергии охлаждающими устройствами.

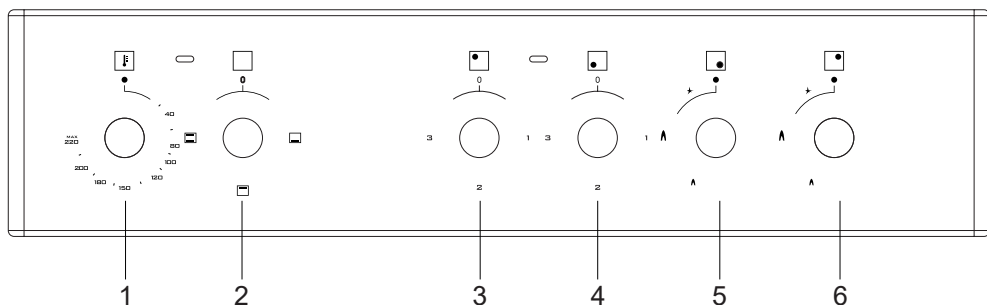
**ПРЕДУПРЕЖДЕНИЕ:** Не используйте дверцу и / или ручку при переносе или перемещении прибора.

## Иллюстрация Крепления Цепью

В целях обеспечения безопасности, перед использованием прибора обязательно прикрепите его к стене с помощью цепи и крючкового винта, которые входят в комплекте поставки. Убедитесь в том, что крючок надежно ввинчен в стену.

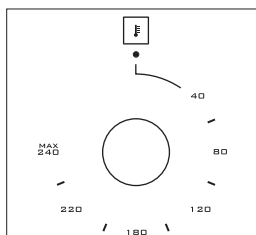


## ПАНЕЛЬ УПРАВЛЕНИЯ

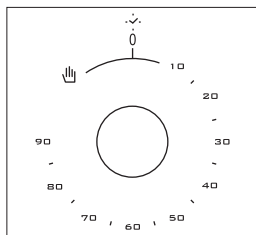


- |   |   |
|---|---|
| 1. Термостат                              | 4. Передний левый электрический нагреватель |
| 2. Кнопка выбора функции                  | 5. Передний правый нагреватель              |
| 3. Задний левый электрический нагреватель | 6. Задний правый нагреватель                |

**ПРЕДУПРЕЖДЕНИЕ:** Панель управления, указанная, приведена только в качестве примера. Принимайте во внимание панель управления, установленная на вашем приборе.



**Термостат:** Используется для определения температуры приготовления блюда. Поместив пищу в духовку, поверните переключатель, чтобы настроить желаемую температуру от 40 до 240°C. Для температуры приготовления различных продуктов питания см. таблицу приготовления пищи.



**Механический таймер\***: Используется для определения продолжительности приготовления в духовке. По истечении установленного времени питание на нагреватели отключается и выдается звуковое предупреждение. Механический таймер можно отрегулировать на желаемую продолжительность от 0 до 90 минут. Чтобы увидеть продолжительность приготовления, см. таблицу приготовления.

## ИСПОЛЬЗОВАНИЕ ДУХОВКИ

### Использование Газовых Конфорок

1. Если плита оборудована газовыми конфорками, соответствующий переключатель должен использоваться для того, чтобы воспламенить их. Некоторые модели имеют автоматическое зажигание от переключателей; все, что нужно, - только повернуть их. Кроме того, некоторые конфорки могут загораться нажатием переключателя зажигания или с помощью спичек.

2. Не позволяйте воспламенителю непрерывно работать более 15 секунд. Если конфорка не зажигается, подождите минуту, прежде чем повторить попытку. Если конфорка гаснет по какой-либо причине, выключите газовый кран и подождите минуту, прежде чем повторить попытку.

### Использование Нагревательных Элементов Духовки

1. При эксплуатации духовки в первый раз, будет распространяться запах, вызванный работой нагревательных элементов. Для того, чтобы избавиться от него, включите пустую духовку на 45-60 минут при температуре 240°C.

2. Переключатель управления духовкой должен быть установлен на требуемое значение; в противном случае духовка не будет работать.

3. Виды блюд, время приготовления и положения термостата приведены в таблице приготовления блюд. Значения, приведенные в таблице, были получены в результате испытаний, проведенных в нашей лаборатории. Вы сможете готовить блюда по вашему вкусу в зависимости от способа приготовления и привычек.

4. Вы можете готовить курицу на вертеле с помощью специальных аксессуаров.

5. Время приготовления: Результаты могут меняться в зависимости от напряжения местной электросети и ингредиентов различного качества, количества и температуры.

6. Во время приготовления в духовке не следует часто открывать ее дверцу. В противном случае циркуляция тепла станет несбалансированной, и результаты могут измениться.

## Использование Гриля

1. Когда вы помещаете гриль на верхнюю полку, продукты питания на гриле не должны соприкасаться с решеткой.

2. Вы можете предварительно разогревать гриль в течение 5 минут. Если необходимо, вы можете перевернуть пищу.

3. Пища должна находиться в центре гриля, чтобы обеспечить максимальный поток воздуха через духовку.

### Чтобы включить гриль;

1. Приведите кнопку выбора функций в символ гриля.

2. Затем установите его на желаемую температуру гриля.

### Выключение гриля;

Приведите кнопку выбора функций в положение «Выкл.».

**ПРЕДУПРЕЖДЕНИЕ:** Держите дверцу закрытой во время приготовления на гриле. (электрический гриль)

**ПРЕДУПРЕЖДЕНИЕ:** Держите дверцу открытой во время приготовления на гриле. (газовый гриль)

### Использование Обжаривания Курицы \*

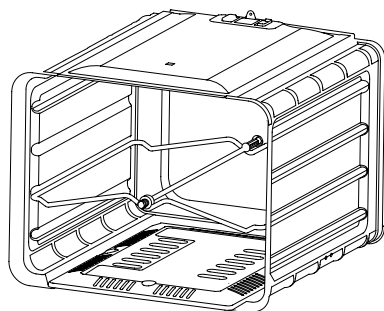
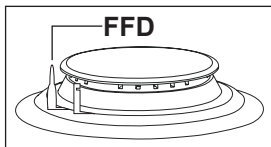


Рис. 15

Поместите вертел на раму. Передвиньте раму с вертелом на нужный уровень в печи. Поместите поддон для сбора жира в нижнюю часть. Добавьте воду в поддон для облегчения последующей чистки, не забудьте снять с вертела пластиковую деталь. После приготовления на гриле, привинтите пластиковую ручку к вертелу и вытащите готовое блюдо из печи.

## Использование Варочной Поверхности

### Использование газовых конфорок



**Защитное устройство для отсечки пламени (FFD);** срабатывает мгновенно, когда защитный механизм активируется из-за пролития жидкости на верхние конфорки.

1. Клапаны, контролируемые газовые конфорки, обладают специальным механизмом безопасности. Для включения конфорки всегда нажимайте на переключатель вперед и приведите его к символу пламени поворотом в направлении против часовой стрелки. Все зажигалки должны работать, и работа плиты должна находиться под контролем. Удерживайте переключатель до зажигания. Нажмите на кнопку зажигания и поверните переключатель против часовой стрелки.

2. Не позволяйте воспламенителю непрерывно работать более 15 секунд. Если конфорка не зажигается, подождите минуту, прежде чем повторить попытку. Если конфорка гаснет по какой-либо причине, выключите газовый вентиль и подождите минуту, прежде чем повторить попытку.

3. В моделях с газовой системой безопасности, когда пламя конфорки угасает, газовые вентили автоматически прекращают подачу газа. Для эксплуатации конфорки с газовой системой безопасности необходимо нажать переключатель и повернуть его против часовой стрелки. После зажигания вы необходимо подождать около 5-10 секунд для активации газовой системы безопасности. Если конфорка гаснет по какой-либо причине, выключите газовый вентиль и подождите минуту, прежде чем повторить попытку.

4. ● Закрыт 🔥 Полностью открыт 🔥 Полуоткрыт

5. Перед эксплуатацией конфорки, убедитесь, что колпачки конфорок правильно расположены. Правильное размещение колпачков конфорок показано ниже.

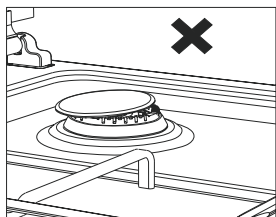


Рисунок 16

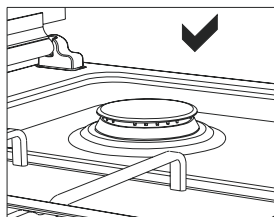


Рисунок 17

## Использование Зон Нагрева

	Уровень 1	Уровень 2	Уровень 3	Уровень 4	Уровень 5	Уровень 6
Ø80 мм	200 Вт	250 Вт	450 Вт	----	----	----
Ø145 мм	250 Вт	750 Вт	1000 Вт	----	----	----
Ø180 мм	500 Вт	750 Вт	1500 Вт	----	----	----
Ø145 мм интенсивная	500 Вт	1000 Вт	1500 Вт	----	----	----
Ø180 мм интенсивная	850 Вт	1150 Вт	2000 Вт	----	----	----
Ø145 мм	95 Вт	155 Вт	250 Вт	400 Вт	750 Вт	1000 Вт
Ø180 мм	115 Вт	175 Вт	250 Вт	600 Вт	850 Вт	1500 Вт
Ø145 мм интенсивная	135 Вт	165 Вт	250 Вт	500 Вт	750 Вт	1500 Вт
Ø180 мм интенсивная	175Вт	220Вт	300Вт	850Вт	1150Вт	2000 Вт
Ø220 мм	220 Вт	350 Вт	560 Вт	910 Вт	1460 Вт	2000 Вт

1. Электрические конфорки имеют 6 стандартных температурных уровней. (Как описано выше)

2. При первичном использовании включите конфорку в положении 6 на 5 минут. Это приведет к затвердеванию вещества на горячей пластине путем сжигания.

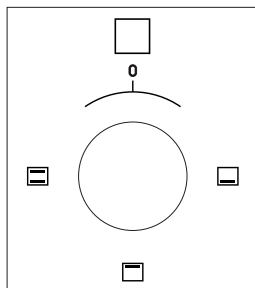
3. Используйте кастрюли с ровным дном, полностью контактирующие с конфоркой, поскольку это позволит использовать энергию более продуктивно.

### Размеры Кастрюли

50*50	
Малая Горелка	12-18 см
Средняя Горелка	18-20 см
Большая Горелка	22-24 см
Wok Горелка	24-28 см



## ВИДЫ ПРОГРАММ



**Кнопка выбора функции:** Используется для определения нагревателей, которые будут использоваться при приготовлении блюд в духовке. Типы программ нагревателя и их функции описаны ниже. Некоторые типы нагревателей и типы программ, состоящие из этих нагревателей, могут быть недоступны на некоторых моделях.

	Вертел		Вентилятор
	Нижний и верхний нагревательные элементы		Турбо нагреватель и вентилятор
	Подсветка		Нижний и верхний нагревательные элементы и вентилятор
	Нижний нагревательный элемент и вентилятор		Гриль и вентилятор
	Нагревательный элемент гриля		Гриль
	Гриль с подсветкой		Верхний нагревательный элемент
	Таймер		Нижний нагревательный элемент
	Пламя		Воспламенитель

**ПРЕДУПРЕЖДЕНИЕ:** Некоторые типы нагревателей и типы программ, состоящие из этих нагревателей, могут быть недоступны на некоторых моделях.



## ТАБЛИЦА ПРИГОТОВЛЕНИЯ

**ПРЕДУПРЕЖДЕНИЕ:** Перед размещением продуктов в печь, ее следует предварительно нагреть в течение 10 минут.

Блюда	Функция Приготовления	Температура (°C)	Полка	Время (мин.)
Торт	Статический / Статический+Вентилятор	170-180	2	35-45
Небольшие торты	Статический / Турбо+Вентилятор	170-180	2	25-30
Пэtti	Статический / Статический+Вентилятор	180-200	2	35-45
Торт	Статический	180-190	2	25-30
Печенье	Статический	170-180	3	20-25
Яблочный пирог	Статический / Турбо+Вентилятор	180-190	2	50-70
Бисквит	Статический	200/150 *	2	20-25
Пицца	Статический+Вентилятор	180-200	3	20-30
Лазанья	Статический	180-200	2	25-40
Меренга	Статический	100	2	60
Курица	Статический+Поклонник / Турбо+Вентиля.	180-190	2	45-50
Курица на гриле **	Гриль	200-220	4	25-30
Жареная рыба **	Гриль+Вентилятор	200-220	4	25-30
Стейк без костей **	Гриль+Вентилятор	Max.	4	15-20
Фальшивый заяц **	Гриль	Max.	4	20-25

\* Без предварительного нагрева. Первая половина приготовления при 200°C, а вторая при 150 ° C.

\*\* По истечении первой половины переверните.

## ОБСЛУЖИВАНИЕ И УХОД

1. Выключите вилку кабеля питания из розетки электроснабжения.
2. Во время работы и сразу после неё отдельные части плиты могут быть очень горячими. Вы должны избегать касания нагретых элементов.
3. Никогда не чистите внутренние части, панель, крышку, листы и другие части плиты абразивными приспособлениями, чистящими пастами или ножами. Не используйте абразивы, царапающие материалы и растворители.
4. После мытья внутренних частей мыльным раствором, сполосните их и протрите насухо мягкой хлопчатобумажной тканью.
5. Очищайте стеклянные поверхности специальными растворами для мойки стекла.
6. Не мойте вашу плиту агрессивными веществами.
7. Перед открыванием варочной панели, уберите с поверхности жидкость. Также убедитесь что плита достаточно остыла.
8. Никогда не используйте для мойки плиты пожароопасные жидкости, такие как ацетон растворитель или бензин .
9. Никогда не стирайте в нижнем ящике.
10. Для чистки переднего стекла двери духовки; установите фиксирующие штифты в отверстия дверных шарниров окрыв предварительно дверь, снимите дверь, открутите отвёрткой винты и снимите эмалированный кожух двери. Затем вымойте и протрите стекло. После мойки, установите кожух двери в обратном разборке порядке.

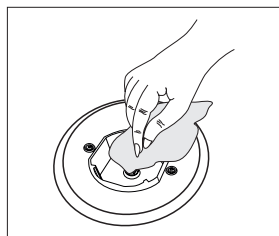


Рис. 18

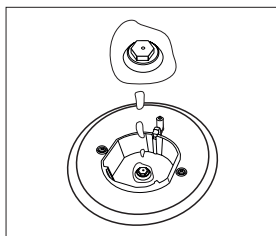


Рис. 19

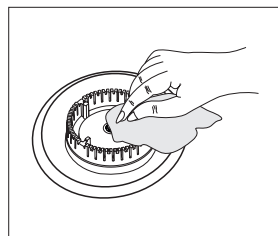


Рис. 20

## Монтаж Дверцы Плиты

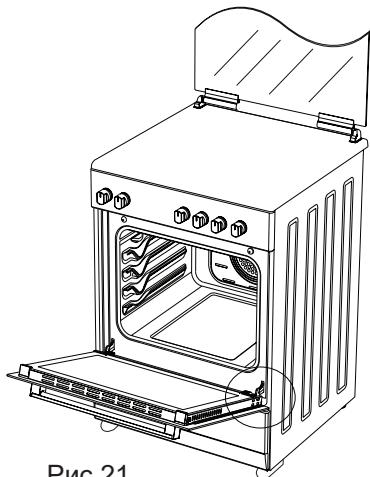


Рис 21

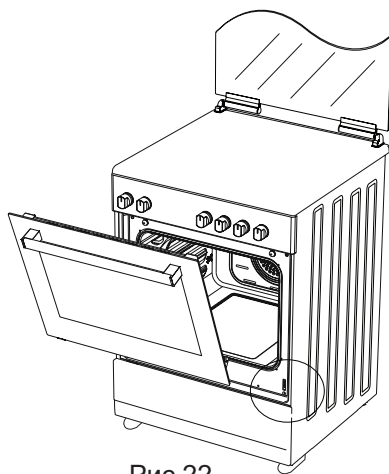


Рис 22

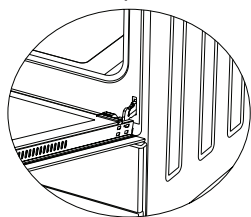


Рис 21.1

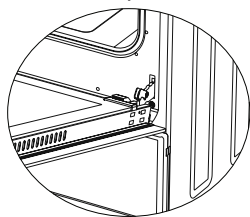


Рис 21.2

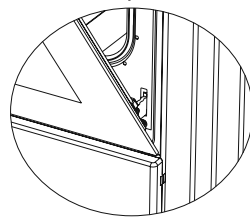


Рис 22.1

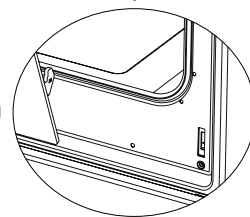


Рис 22.2

Раскройте дверцу духовки до конца потянув ее движением на себя. Затем как показано на **рис.21.1** с помощью отвертки потянув вверх петли замка осуществите процедуру открытия замка.

Приведите петлю замка к самому большому углу как это показано на **рис.21.2**. Приведите к такому же положению все две петли, которые прикрепляют дверцу к духовке.

Затем закройте раскрытую дверцу духовки до тех пор пока она полностью не сядет на петли замка как показано на **рис.22.1**.

Для снятия дверцы печи, после того как дверца приведена в положение, близкое к закрытому, потяните ее вверх, держа обеими руками как показано на **рис.22.2**.

Для обратной установки дверцы печи примените в обратном порядке очередность, примененную для извлечения дверцы.

## Замена Лампы

**ПРЕДУПРЕЖДЕНИЕ:** Во избежание поражения электрическим током, перед заменой лампы убедитесь, что прибор отключен от цепи питания. (Отключение от цепи питания означает отключение от магистральной сети).

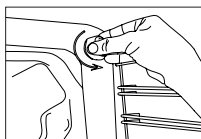
Сначала отключите питание прибора и убедитесь в том, что он остыл.

Поверните и снимите стеклянный плафон как показано на рисунке. В случае затруднения при повороте плафона, используйте пластиковые перчатки.

Затем, выкрутите старую и установите новую лампу с такими же характеристиками.

Установите плафон на место, подключите кабель питания к розетке и завершите процедуру замены лампы. Теперь Вы можете использовать свою печь.

### Тип G9 Лампы



220-240 В, AC  
15-25 Вт

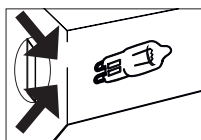


Рис. 23

### Тип E14 Лампы



220-240 В, AC  
15 Вт



Рис. 24

## Использование Отражающего Листа Гриля \*

1. Защитная панель предназначена для защиты панели управления и кнопок, когда духовка находится в режиме гриля. (рисунок 25)

2. Используйте данную защитную панель, чтобы избежать повреждения панели управления и кнопок из-за перегрева, когда духовка работает в режиме гриля.

**ПРЕДУПРЕЖДЕНИЕ:** Доступные части могут быть горячими при использовании гриля. Не подпускайте маленьких детей к духовке.

3. Поместите защитную панель под панелью управления, открыв переднюю стеклянную крышку духовки. (рисунок 26)

4. Затем закрепите защитную панель между духовкой и передней крышкой, осторожно закрыв крышку. (рисунок 27)

5. Важно, чтобы держать крышку открытой на заданном расстоянии при приготовлении в режиме гриля.

6. Защитная панель обеспечит идеальное приготовление, а также защищает панель управления и кнопки.

**ПРЕДУПРЕЖДЕНИЕ:** Если кухонная плита имеет «**функцию закрытого гриля**» с термостатом, вы можете оставить дверцу духовки закрытой во время работы; в этом случае отражающий лист не будет нужным.

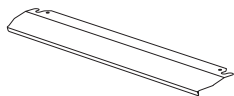


Рис. 25

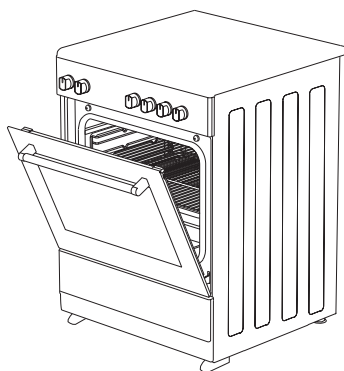


Рис. 26

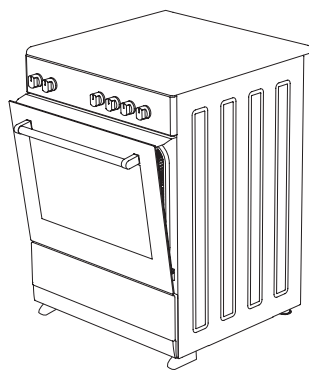


Рис. 27

## НАХОЖДЕНИЕ И УСТРАНЕНИЕ НЕИСПРАВНОСТЕЙ

Вы можете решить проблемы, с которыми вы можете столкнуться в приборе, проверив следующие пункты перед тем, как обратиться в техническую службу.

### Контрольные точки

Если у вас возникла проблема с духовкой, сначала проверьте таблицу ниже и попробуйте устранить неполадку, выполнив рекомендации.

Неисправность	Вероятная причина	Рекомендации по устранению
<b>Духовка не работает.</b>	Источник питания недоступен.	Проверьте наличие питания.
	Газоснабжение отсутствует.	Проверьте, открыт ли главный газовый кран.
		Проверьте, согнут ли газовый трубопровод или скручен.
		Убедитесь, что газовый шланг подсоединен к духовке.
	Проверьте, используется ли подходящий газовый клапан.	
<b>Духовка останавливается во время приготовления.</b>	Штепсельная вилка выходит из настенной розетки.	Вставьте штепсельную вилку в электрическую розетку.
<b>Отключается во время приготовления.</b>	Слишком длинная непрерывная работа.	Дайте духовке остыть после длительных циклов приготовления.
	В розетку подключены несколько штепсельных вилок.	Подключите только одну штепсельную вилку в каждую электрическую розетку.
<b>Дверца духовки не открывается должным образом.</b>	Остатки пищи застряли между дверцей и внутренним пространством.	Тщательно чистите духовку и попытайтесь снова открыть дверь.
<b>Воспламенитель не работает.</b>	Забиты наконечники или корпус воспламенителя.	Очистить наконечники или корпус воспламенителя газовых конфорок.
	Трубы газовой конфорки забиты.	Очистить трубы газовой конфорки.
<b>Поражение электрическим током при касании духовки.</b>	Заземление не выполнено должным образом.	Убедитесь, источник питания заземлено должным образом.
	Используется электрическая розетка без заземления.	

Неисправность	Вероятная причина	Рекомендации по устранению
Вода течет.	Вода или пар могут образовываться при определенных условиях в зависимости от приготовленной пищи. Это не является признаком неисправности прибора.	Дайте духовке остыть и высушите мягкой тканью.
Пар выходит из трещины на дверце духовки.		
Вода осталась в духовке.		
Духовка не нагревается.	Дверца духовки открыта.	Закройте дверцу и перезапустите.
	Регуляторы духовки неправильно отрегулированы.	Прочтите раздел, касающийся эксплуатации духовки, и выполните сброс.
	Сработал предохранитель или выключен автоматический выключатель.	Замените плавкий предохранитель или сбросьте выключатель. Если это повторяется часто, обратитесь к электрику.
Дым выходит во время работы.	Это происходит при эксплуатации в первый раз.	Дым выходит из нагревателей. Это не является неисправностью. После 2-3 циклов работы дыма больше не будет.
	Продукты питания на нагревателе.	Дайте духовке остыть и удалите остатки пищи от нагревателя.
При эксплуатации духовки появляется запах гари или пластики.	В духовке используются пластиковые или другие нетермостойкие принадлежности.	При высоких температурах используйте подходящие стеклянные кухонные инструменты.
Духовка плохо работает.	Дверца духовки открывается часто во время приготовления.	Не открывайте дверцу духовки часто, если пища, которую вы готовите, не требует переворачивания. Если вы часто открываете дверцу, внутренняя температура падает, и будет влиять на результат приготовления.
Внутренняя лампа тусклый или не работает.	Посторонний предмет покрывает лампу во время приготовления.	Очистите внутреннюю поверхность духовки и снова проверьте.
	Возможно, сгорела лампа.	Замените лампой с одинаковыми характеристиками.

## ПРАВИЛА ОБРАЩЕНИЯ

1. Не используйте дверцу и / или ручку при переносе или перемещении прибора.
2. Переносите и перевозите в оригинальной упаковке.
3. При погрузке / разгрузке и обращении соблюдайте крайнюю осторожность.
4. Перед переносом и транспортировкой убедитесь, что упаковка надежно закрыта.
5. Защитите от внешних факторов (таких как влажность, вода и т. д.), которые могут повредить упаковку.
6. Будьте осторожны, чтобы не повредить прибор из-за ударов, сбоев, капель и т. д. во время переноса и транспортировки, а также не сломать и не деформировать его во время работы.

## СОВЕТЫ ПО ЭНЕРГОСБЕРЕЖЕНИЮ

Следующие детали помогут вам эксплуатировать данный прибор в экологически и экономически выгодном виде.

1. Используйте темные и эмалевые сосуды, теплопроводность которых является лучшим.
2. Когда вы готовите пищу, если рецепт или руководство пользователя указывают, что требуется предварительный нагрев, предварительно нагрейте духовку.
3. Не открывайте дверцу духовки во время приготовления.
4. Старайтесь не готовить несколько блюд одновременно в духовке. Вы можете готовить несколько блюд одновременно, поставив две сосуды на проволочную решетку.
5. Приготовьте несколько блюд одно за другим. Духовка не теряет тепло.
6. Выключите духовку за несколько минут до окончания времени приготовления. В этом случае не открывайте дверцу духовки.
7. Перед приготовлением размораживайте замороженные продукты питания.



## Утилизация бытовой техники



1. Данное изделие не содержит опасных и запрещенных веществ. Соответствует требованиям положений Директивы ЕС об отходах электрического и электронного оборудования

2. Данное изделие произведено из высококачественных деталей и материалов, которые могут быть переработаны и повторно использованы.

3. Не следует выбрасывать ваше изделие вместе с бытовыми отходами по истечении его срока службы. Необходимо сдать его в пункт сбора для переработки отходов электрического и электронного оборудования.

Помогите защитить окружающую среду и природные источники путем переработки отработанных изделий.

### УПАКОВКА

Материалы упаковки устройства произведены из перерабатываемого материала в соответствии с нашим национальным законодательством. Не выбрасывайте упаковочные материалы вместе с бытовыми и иными отходами, сдавайте их в пункты сбора упаковочных материалов.



**В целях безопасности детей перед утилизацией данного изделия необходимо отрезать электрический кабель, чтобы предотвратить его включение.**

Страна происхождения - Турция

Изготовитель:

**«СЕРСИМ ДАЙАНЫКЛЫ ТЮКЕТИМ МАЛЛАРЫ САНАЙИ ВЕ ТИДЖАРЕТ КОЛЛЕКТИФ ШИРКЕТИ ИБРАХИМ ВЕ МУСТАФА УСТАОГЛУ»,**

**Юр.адрес: Кайсери Сербест Бёлгеси, Анбар SB Махаллеси, 12 Джадде, Серсим ситеси KSR-125/130, Апартаман №17, Меликгази, Кайсери, Турция**

**Адрес производства: Сербест Бёлге, 12 Джадде №18, Меликгази, Кайсери, Турция**

**«SERSIM DAYANIKLI TUKETIM MALLARI SANAYI VE TIGARET KOLLEKTIF SIRKETI IBRAHIM VE MUSTAFA USTAOGLU»,**

Legal address: Kayseri Serbest Bolgesi, Anbar SB Mahallesi, 12 Cadde, Sersim Sitesi, KSR-125/130, Apartman №17, Melikgazi, Kayseri, Turkiye

Manufacturer's address: Serbest Bolge 12. Cadde No.18, Melikgazi, Kayseri, Turkiye

Импортер/Организация, уполномоченная на принятие претензий от покупателей:

**ООО «СИМРУС» ИНН 7717705825, КПП 771901001, ОГРН 1117746641891**

**Юридический /фактический адрес: 105318, Москва, Ткацкая ул. д. 5, корп.7, этаж 2**

При возникновении гарантийного случая необходимо обращаться в авторизованные сервисные центры. Список авторизованных сервисных центров обслуживания в Вашем городе указан в данном руководстве по эксплуатации. Если в Вашем городе отсутствует авторизованный сервисный центр, Вам следует обратиться в магазин, где Вы приобрели товар.

Получить информацию о сервисном обслуживании в Вашем городе Вы можете по телефонам: 8 (495) 969-02-86, 969-02-87

Срок гарантии - 12 месяцев

Срок службы - 10 лет

Дата изготовления – указана на изделии

